

# Joker

*your best play*

---

JK26A / JK10A / JK12A / JK15A  
JK12WA / JK15WA / JK18WA1 / JK18WA2  
JK10MA / JK12MA / JK318A

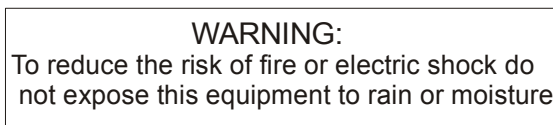


Copyright © 2014  
All rights reserved

Pol.Ind.Norte-Perpinyà,25  
08226 TERRASSA (Barcelona-SPAIN)  
[info@master-audio.com](mailto:info@master-audio.com)  
[www.master-audio.com](http://www.master-audio.com)

Jan 14  
**User's manual / Manual usuario**

## ENGLISH



## Safety Instructions

1. All safety instructions must be read before using this device.
2. The exclamation mark in the triangle indicates internal components which if replaced can affect safety.
3. The lightning symbol within the triangle indicates the presence of dangerous uninsulated voltages.
4. This device must not be exposed to rain or humidity.
5. Only clean the device with a dry cloth.
6. Do not install the device near heat sources such as radiators, heaters or other heat-emitting elements.
7. The equipment must be repaired by qualified technical service personnel when:
  - A. The mains supply cable is damaged, or
  - B. Any object or liquid has damaged the device; or
  - C. The equipment does not function normally or correctly; or
  - D. The equipment has been exposed to the rain; or
  - E. The chassis is damaged
8. Disconnect the device in the case of electric storms or during long periods of disuse.
9. Never hang the equipment by its handle.
10. Only use manufacturer recommended accessories.

## 1. INTRODUCTION

### 1.1. General

Master Audio would like to thank you for your confidence in our Joker Series. We suggest you to carefully read the following instructions in order to obtain the best results in performance.

### 1.2. Features and presentation

#### JK26A

- Self-powered acoustic system
- XLR electronically balanced input & XLR parallel output
- AC PowerCon input
- 200 W class D amplifier for low-mid range
- 30 W class AB amplifier for high range
- 24-bit AD/DA converters, 48kHz sampling rate
- Self amplifier diagnostics: output power, clipping
- DSP Controls (delay, volume, polarity, presets and limiters)
- 2x6" neodymium woofers with Kevlar cone and 1.5" voice coil
- 1" neodymium Tweeter with Titanium diaphragm

#### JK10A

- Self-powered acoustic system
- XLR electronically balanced input & XLR parallel output
- AC PowerCon input
- 600 W class D amplifier for low-mid range
- 100 W class D amplifier for high range
- 24-bit AD/DA converters, 48kHz sampling rate
- Self amplifier diagnostics: output power, temperature, clipping
- DSP Controls (delay, volume, polarity, presets and limiters)
- 10" neodymium woofer with 2.5" voice coil
- 1.4" PETP diaphragm driver
- 50° to 100° (H) x 55° (V) asymmetrical dispersion horn

#### JK12A

- Self-powered acoustic system
- XLR electronically balanced input & XLR parallel output
- AC PowerCon input
- 600 W class D amplifier for low-mid range
- 100 W class D amplifier for high range
- 24-bit AD/DA converters, 48kHz sampling rate
- Self amplifier diagnostics: output power, temperature, clipping
- DSP Controls (delay, volume, polarity, presets and limiters)
- 12" woofer with 3" voice coil
- 1.75" PETP diaphragm neodymium driver
- 50° to 100° (H) x 55° (V) asymmetrical dispersion horn

### **JK15A**

- Self-powered acoustic system
- XLR electronically balanced input & XLR parallel output
- AC PowerCon input
- 600 W class D amplifier for low-mid range
- 100 W class D amplifier for high range
- 24-bit AD/DA converters, 48kHz sampling rate
- Self amplifier diagnostics: output power, temperature, clipping
- DSP Controls (delay, volume, polarity, presets and limiters)
- 15" woofer with 3" voice coil
- 1.75" PETP diaphragm neodymium driver
- 50° to 100° (H) x 55° (V) asymmetrical dispersion horn

### **JK12WA**

- Self-powered acoustic system
- XLR electronically balanced input & XLR parallel output
- AC PowerCon input
- 500 W class D amplifier
- 24-bit AD/DA converters, 48kHz sampling rate
- Self amplifier diagnostics: output power, temperature, clipping
- DSP Controls (delay, volume, polarity, presets and limiters)
- 12" woofer with 3" voice coil

### **JK15WA**

- Self-powered acoustic system
- XLR electronically balanced input & XLR parallel output
- AC PowerCon input
- 1000 W class D amplifier
- 24-bit AD/DA converters, 48kHz sampling rate
- Self amplifier diagnostics: output power, temperature, clipping
- DSP Controls (delay, volume, polarity, presets and limiters)
- 15" woofer with 4" voice coil

### **JK18WA1**

- Self-powered acoustic system
- XLR electronically balanced input & XLR parallel output
- AC PowerCon input
- 1000 W class D amplifier
- 24-bit AD/DA converters, 48kHz sampling rate
- Self amplifier diagnostics: output power, temperature, clipping
- DSP Controls (delay, volume, polarity, presets and limiters)
- 18" woofer with 4" voice coil

### **JK18WA2**

- Self-powered acoustic system
- XLR electronically balanced input & XLR parallel output
- AC PowerCon input

- 2000 W class D amplifier
- 24-bit AD/DA converters, 48kHz sampling rate
- Self amplifier diagnostics: output power, temperature, clipping
- DSP Controls (delay, volume, polarity, presets and limiters)
- 18" woofer with 4" voice coil

### **JK10MA**

- Self-powered acoustic system
- XLR electronically balanced input & XLR parallel output
- AC PowerCon input
- 600 W class D amplifier for low-mid range
- 100 W class D amplifier for high range
- 24-bit AD/DA converters, 48kHz sampling rate
- Self amplifier diagnostics: output power, temperature, clipping
- DSP Controls (delay, volume, polarity, presets and limiters)
- 10" coaxial woofer with 2.5" voice coil
- 1.75" polyester diaphragm driver
- 70° x 70° dispersion horn

### **JK12MA**

- Self-powered acoustic system
- XLR electronically balanced input & XLR parallel output
- AC PowerCon input
- 600 W class D amplifier for low-mid range
- 100 W class D amplifier for high range
- 24-bit AD/DA converters, 48kHz sampling rate
- Self amplifier diagnostics: output power, temperature, clipping
- DSP Controls (delay, volume, polarity, presets and limiters)
- 12" coaxial woofer with 3" voice coil
- 3" Titanium diaphragm driver
- 60° x 40° dispersion horn

### **JK318A**

- Self-powered acoustic system
- XLR electronically balanced input & XLR parallel output
- AC PowerCon input
- 2400 W class D amplifier for low range
- 600 W class D amplifier for mid-high range
- 24-bit AD/DA converters, 48kHz sampling rate
- Self amplifier diagnostics: output power, temperature, clipping
- DSP Controls (delay, volume, polarity, presets and limiters)
- 18" neodymium woofer with 4" voice coil
- 12" neodymium woofer with 3" voice coil
- 1.75" PETP diaphragm neodymium driver
- 50° to 100° (H) x 55° (V) asymmetrical dispersion horn

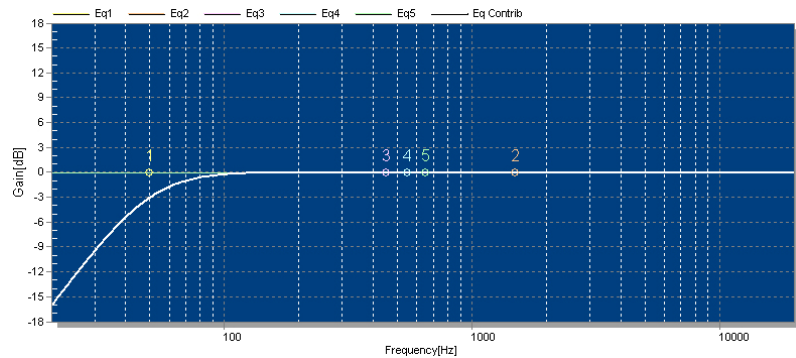
### 1.3. Presets on Full range cabinets

The Joker full range cabinets include several manufacturer presets for different types of applications.

#### FLAT

Flat response

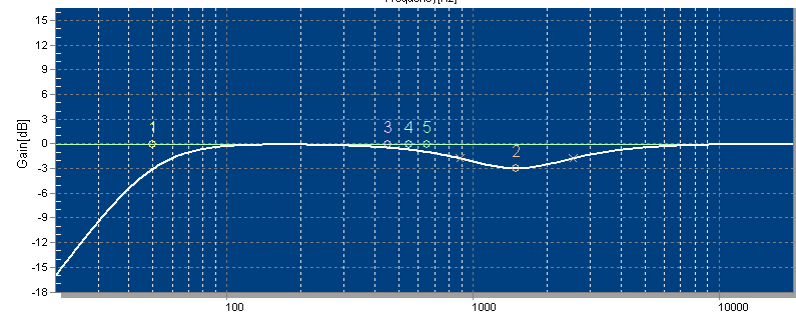
- Standard preset



#### NEARFIELD

-3dB mid frequencies (800Hz-3kHz)

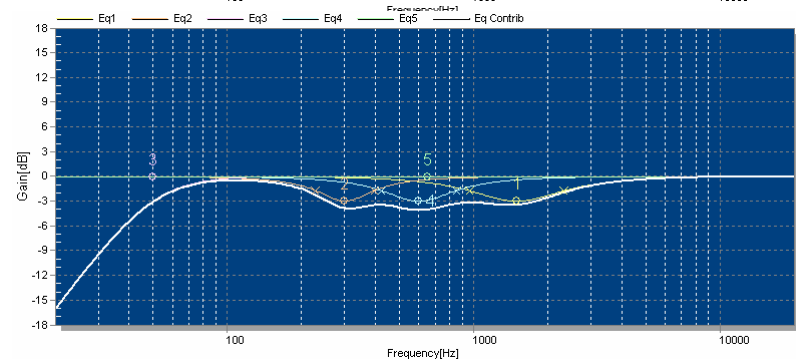
- Small venues
- Medium level
- Short-medium distance



#### NEARFIELD+

-3dB mid frequencies (200Hz-3kHz)

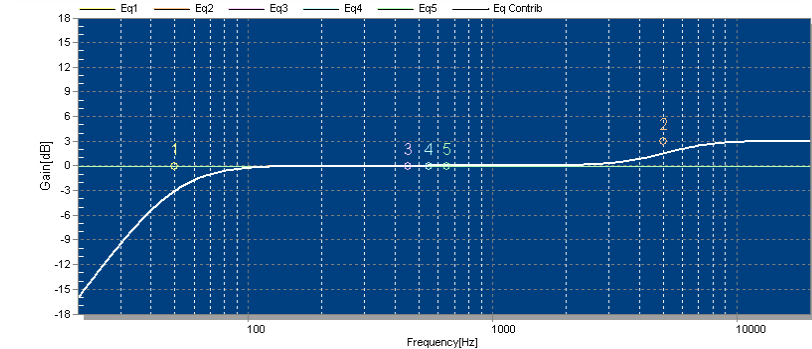
- Small venues
- Medium level
- Short distance



#### LONGTHROW

+3dB high frequencies

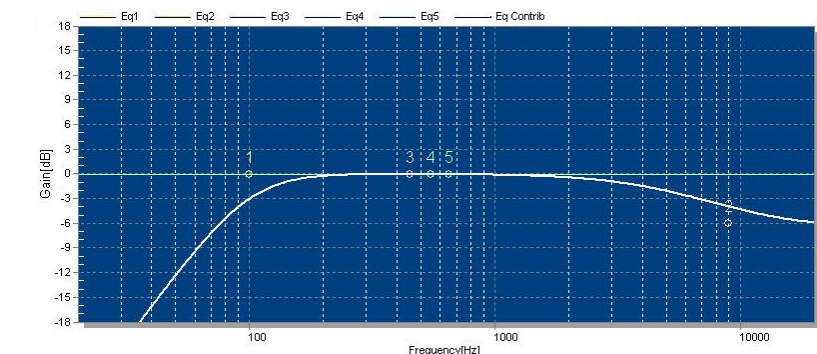
- Large venues
- High level
- Medium-long distance



#### SPEECH

-6dB Low  
-6dB High

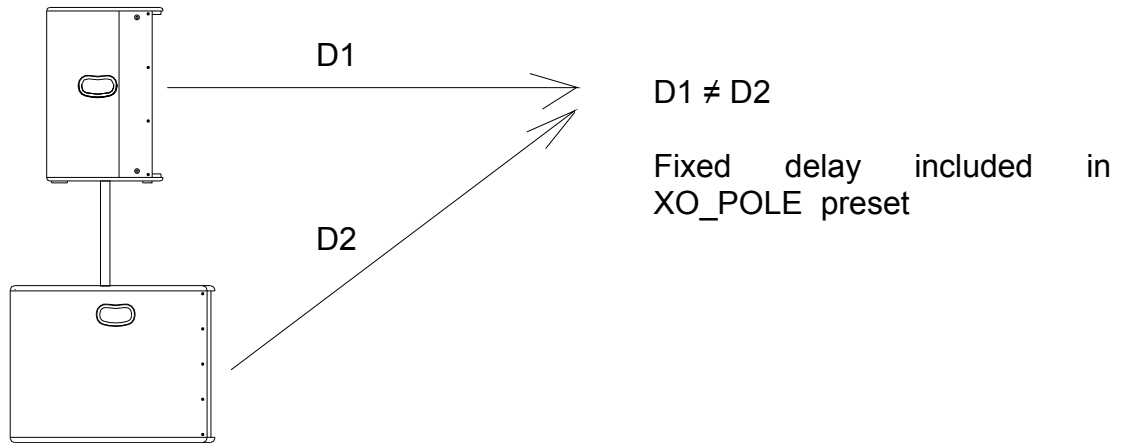
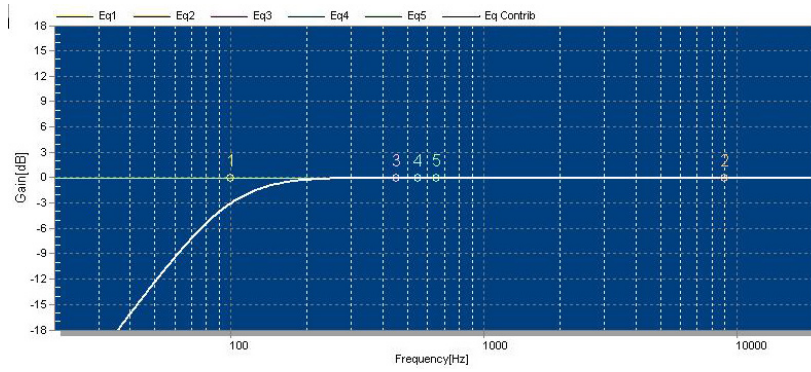
- Microphone use
- No matter level or distance



**XO\_POLE**

HPF 100Hz +  
fixed delay

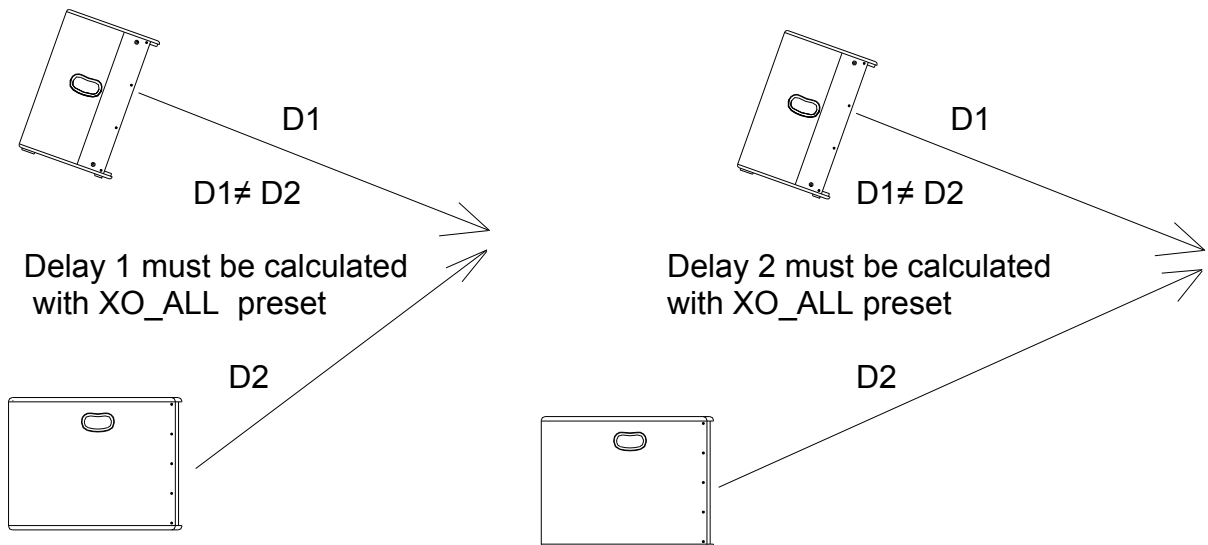
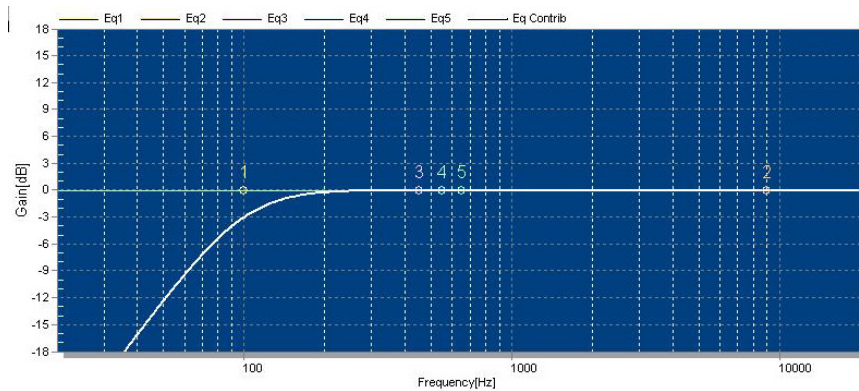
- Use with Joker subwoofers
- On pole mounting



**XO\_ALL**

HPF 100Hz +  
no delay

- Use with Joker subwoofers
- On any configuration
- Delay must be calculated by the user



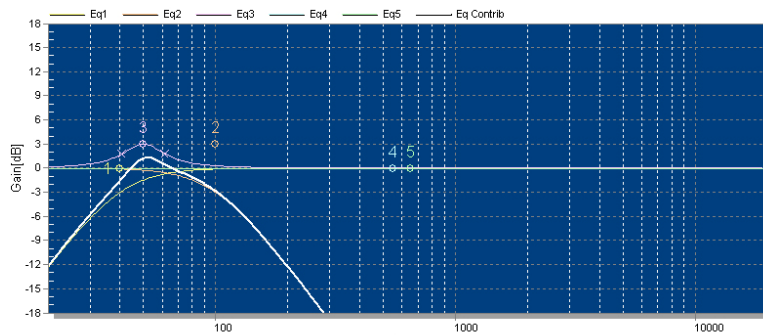
## 1.4. Presets on subwoofer cabinets

The Joker subwoofer cabinets include several manufacturer presets for different types of applications.

### XO POLE

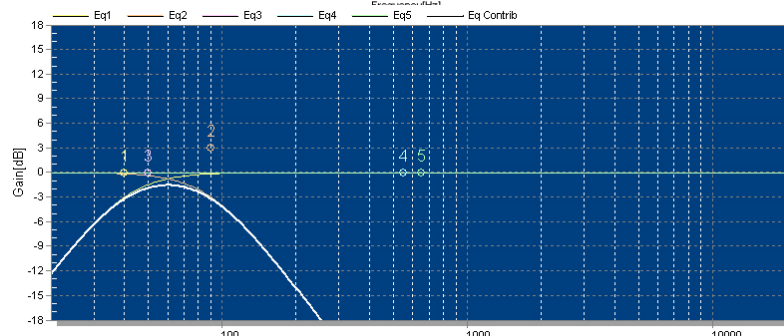
LPF 100Hz +  
+3dB Boost

- Use with Joker full-range cabinets
- On pole mounting



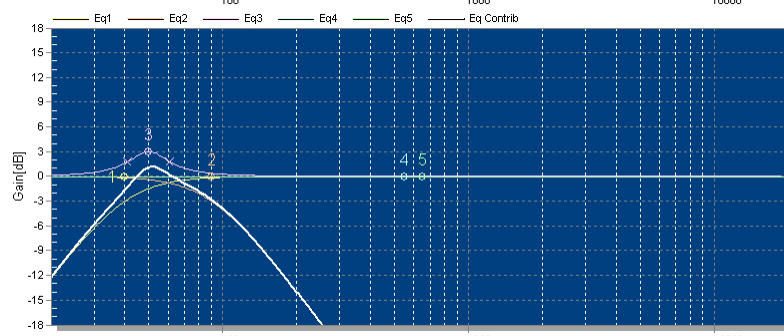
### LPF90

LPF 90Hz



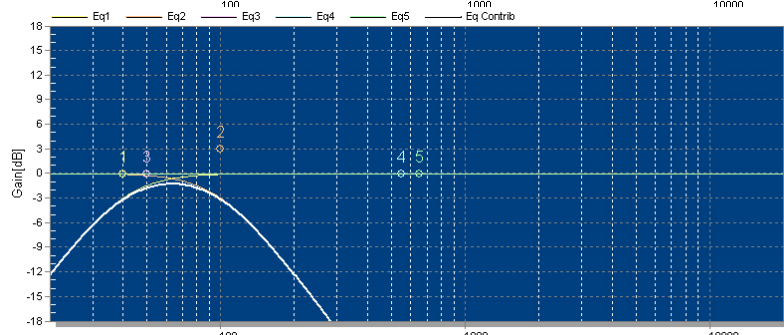
### LPF90+3

LPF 90Hz  
+3dB Boost



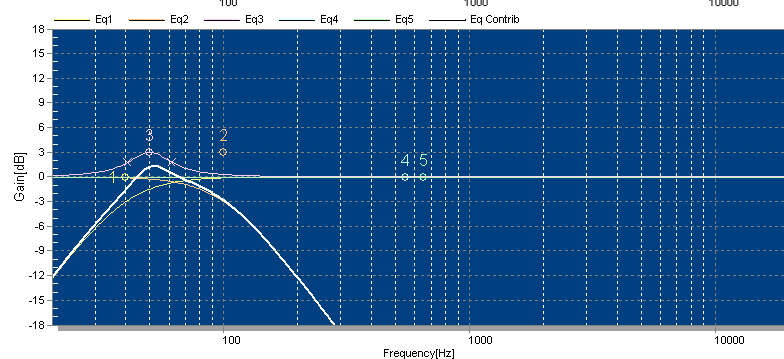
### LPF100

LPF 100Hz



### LPF100+3

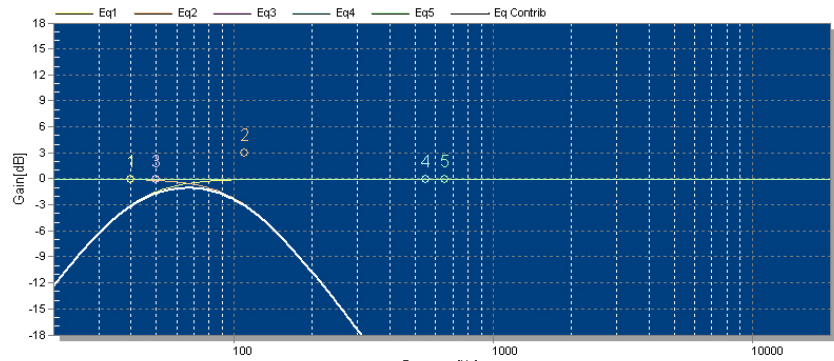
LPF 100Hz  
+3dB Boost





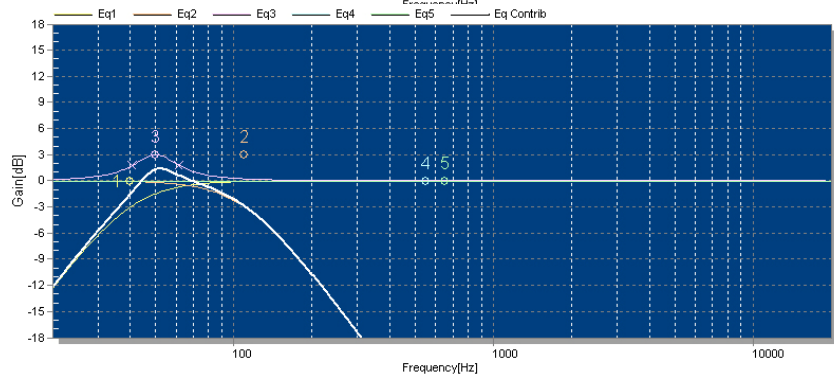
**LPF110**

LPF 110Hz



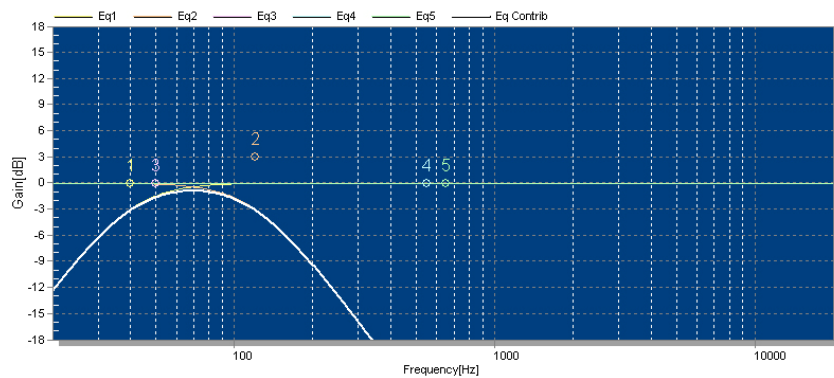
**LPF110+3**

LPF 110Hz  
+3dB Boost



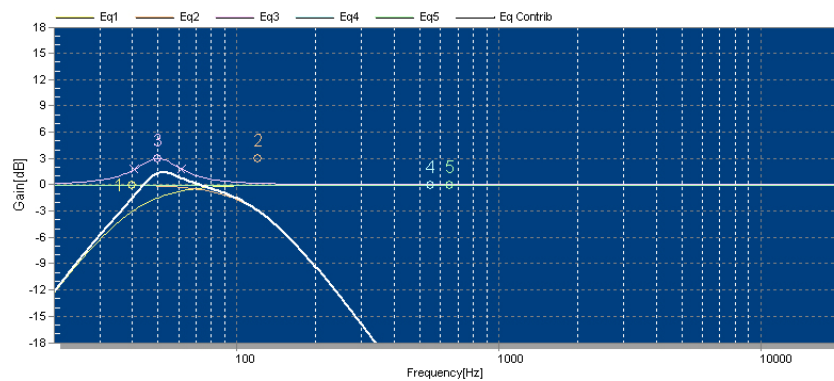
**LPF120**

LPF 120Hz



**LPF120+3**

LPF 120Hz  
+3dB Boost



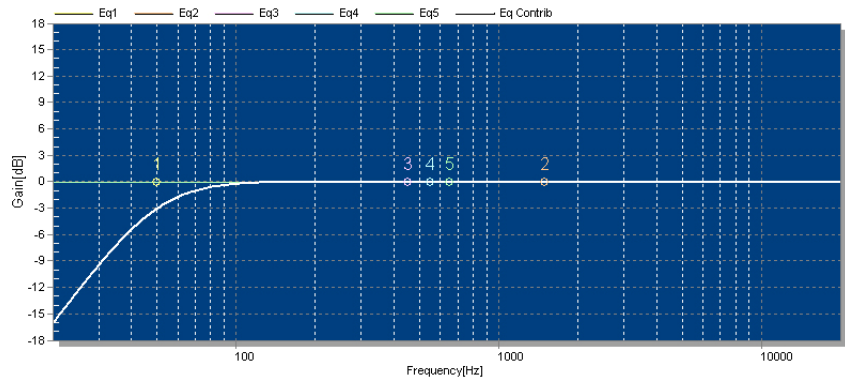
**1.5. Presets on JK10MA cabinet**

The JK10MA includes several manufacturer presets for different types of applications.

**FLAT**

Flat response

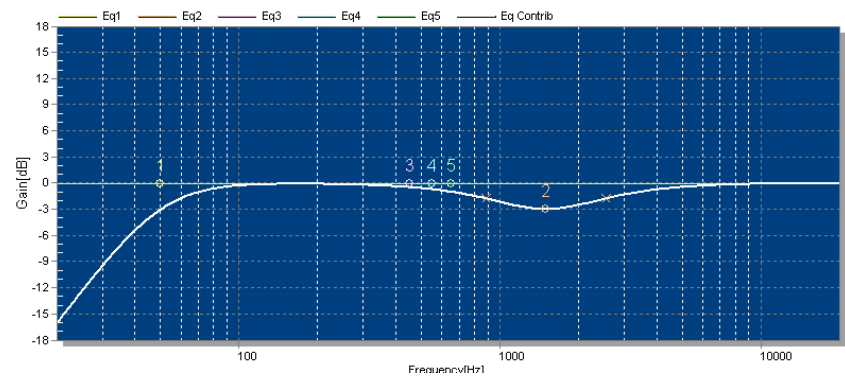
- Stand alone use on tripod



**NEARFIELD**

-3dB mid Frequencies

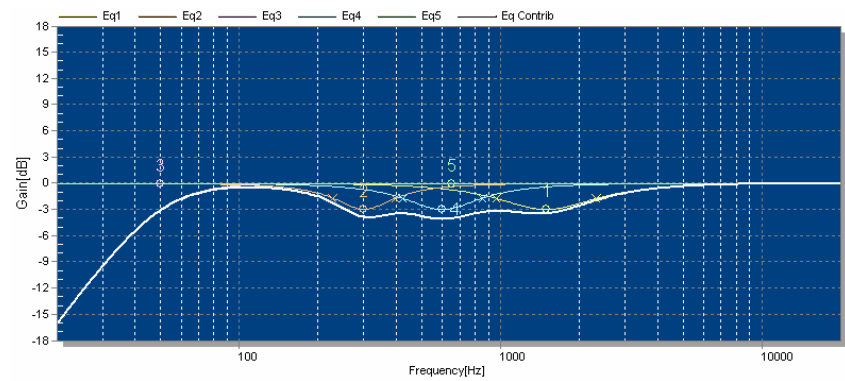
- Small venues
- Medium level
- Short-medium distance



**NEARFIELD+**

-3dB mid frequencies (200Hz-3kHz)

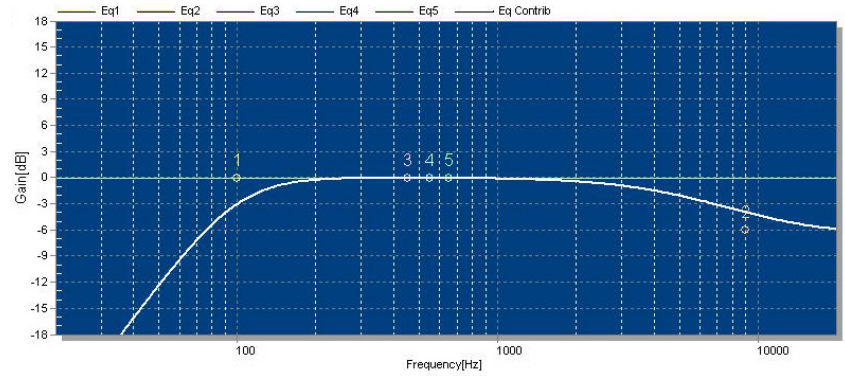
- Small venues
- Medium level
- Short distance



**SPEECH**

-6dB Low  
-6dB High

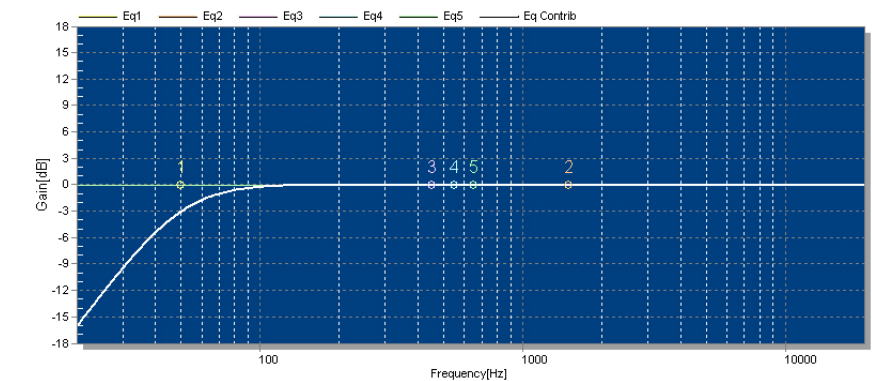
- Microphone use
- No matter level or distance



**MONITOR**

Flat response

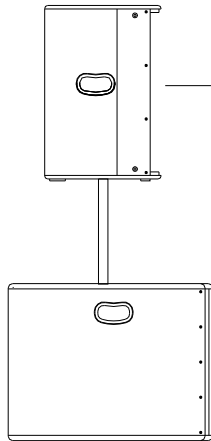
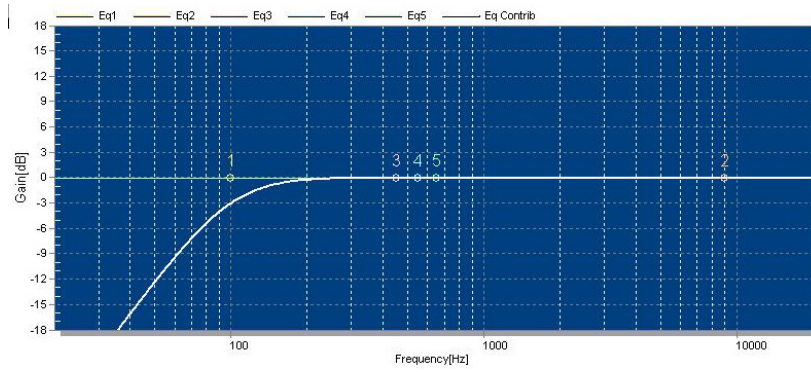
- On-floor stage monitor use



**XO\_POLE**

HPF 100Hz +  
fixed delay

- Use with Joker subwoofers
- On pole mounting



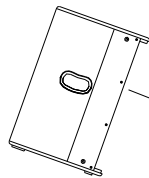
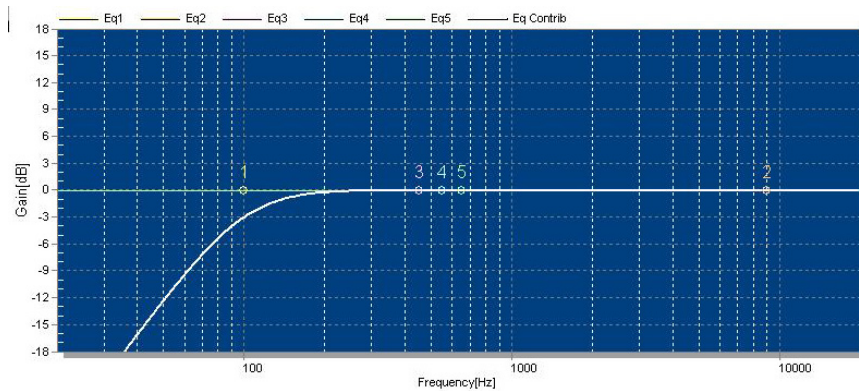
$D1 \neq D2$

Fixed delay included in  
XO\_POLE preset

**XO\_ALL**

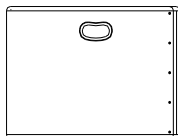
HPF 100Hz +  
no delay

- Use with Joker subwoofers
- On any configuration
- Delay must be calculated by the user

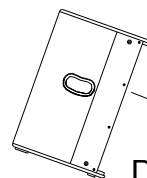


$D1 \neq D2$

Delay 1 must be calculated  
with XO\_ALL preset

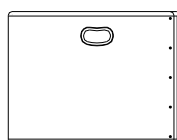


$D2$



$D1 \neq D2$

Delay 2 must be calculated  
with XO\_ALL preset



$D2$

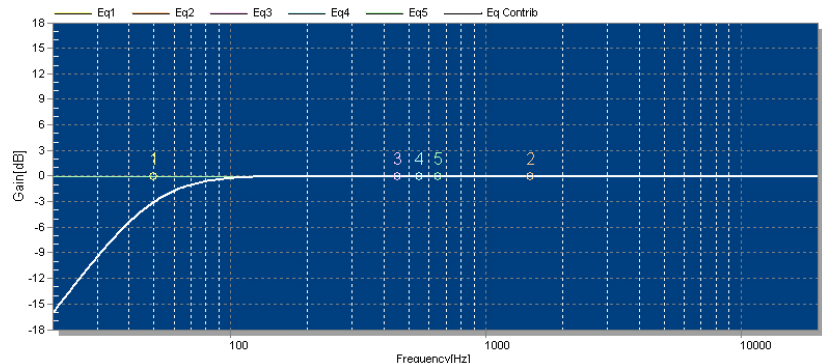
## 1.6. Presets on JK12MA stage monitor

The JK12MA stage monitor includes several manufacturer presets for different types of applications.

### MONITOR

Flat response

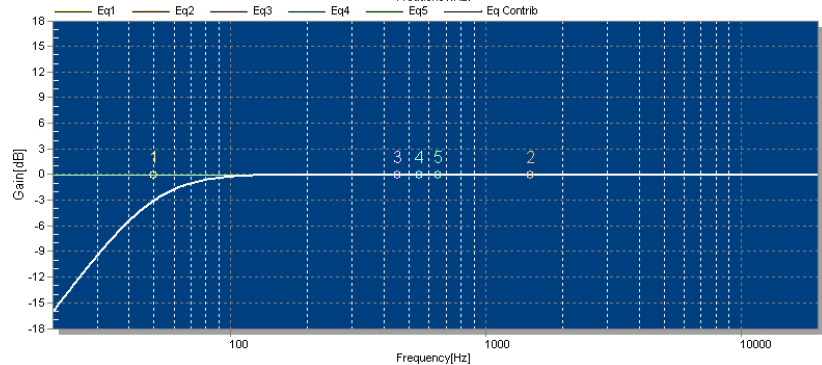
- On-floor stage monitor use



### FULL RANGE

Flat response

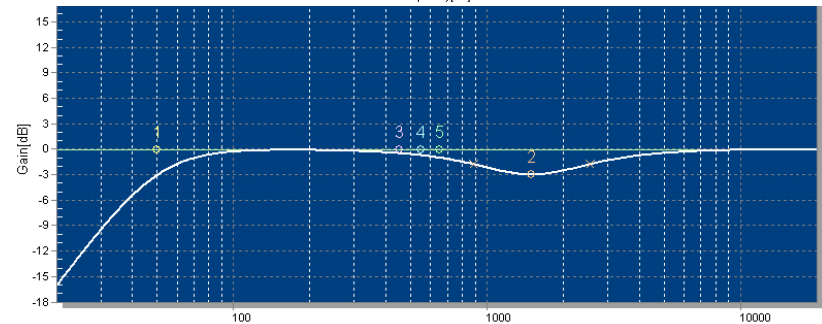
- Stand alone use on tripod



### NEARFIELD

-3dB mid Frequencies

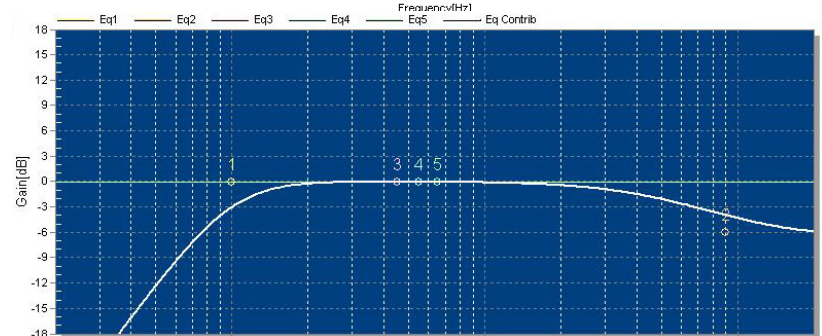
- Small venues
- Medium level
- Short-medium distance



### SPEECH

-6dB Low  
-6dB High

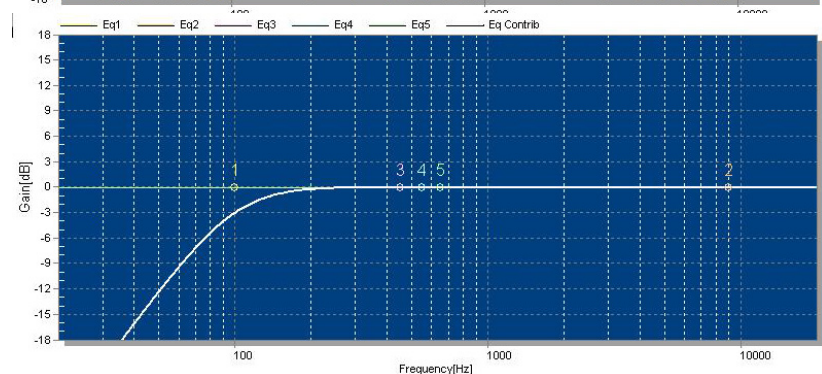
- Microphone use
- No matter level or distance



### XOVER

HPF 100Hz

- Use with Joker subwoofers



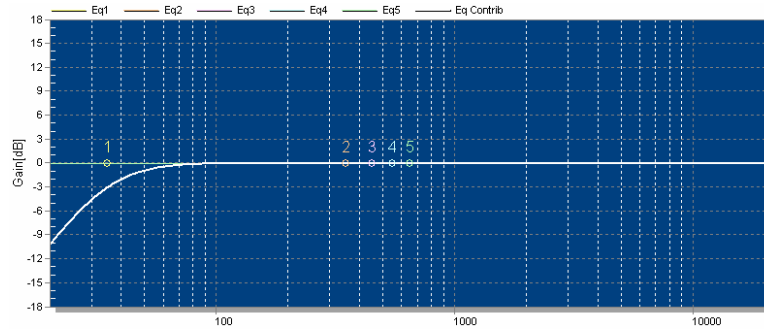
## 1.7. Presets on JK318A

The JK318A includes several manufacturer presets for different types of applications.

### FLAT

Flat response

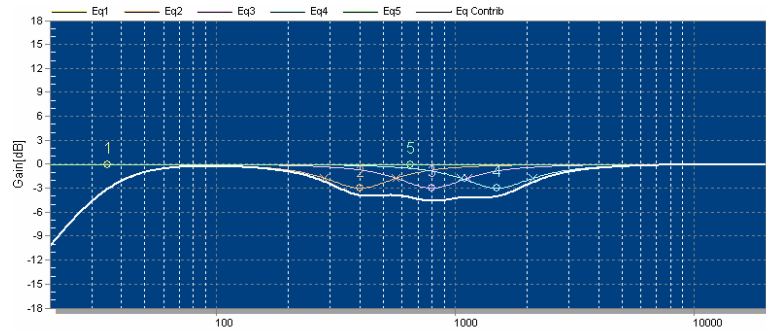
- Standard preset



### NEARFIELD

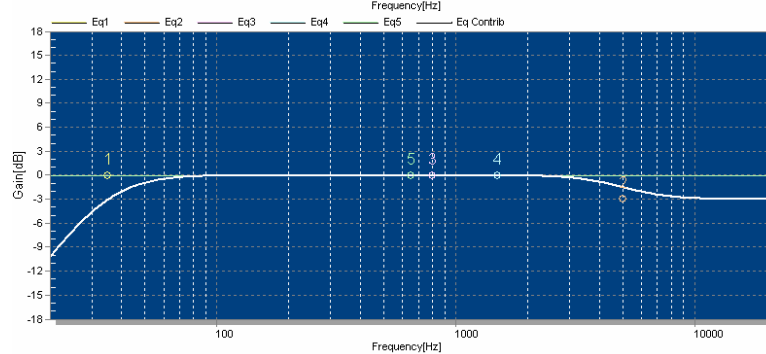
-3dB mid frequencies  
(200Hz-3kHz)

- Small venues
- Medium level
- Short-medium distance



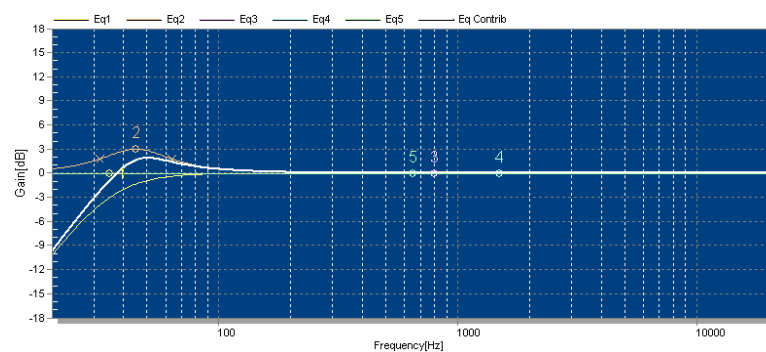
### HF-3dB

-3dB high frequencies



### LFBOOST

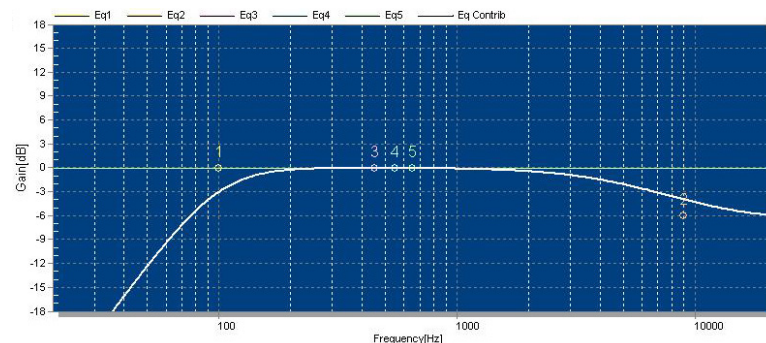
+3dB low boost  
at 45Hz



### SPEECH

-6dB Low  
-6dB High

- Microphone use
- No matter level or distance



## 2. CONNECTIONS

### 2.1. Overview

The power and audio connections are located on the unique Joker back panel, shown in Fig. 1. The different parts of the panel are explained in detail in the following sections of the manual.

#### Control Panel

**A) LCD:** Displays basic information about the DSP Status. The main screen shows the following information.

For FULL-RANGE Systems

- Current preset
- Input Level
- Output Level LF Channel
- Output Level HF Channel
- Amplifier temperature
- ECO mode enabled/disabled
- Keypad locked/unlocked

For SUBWOOFER Systems

- Current Preset
- Input Level
- Output Level
- Amplifier temperature
- ECO mode enabled/disabled
- Polarity Positive (+) / Negative (-)
- Keypad locked/unlocked

**B) KEYPAD:** Allows the user to perform basic operations on the DSP such as Preset selection, delay adjust and also user preferences. To enter the menu the keypad must be unlocked by pressing simultaneously the MENU and SELECT keys.

**C) GAIN CONTROL:** Use the Up and Down arrows to adjust the gain of the system. The gain can be adjusted between 0 and -20dB. Once -20dB is reached and the Down key is further pressed, the system will be muted. To unmute it, press the Up key again.

**D) PROTECTION LED:** This led lights up when the amplifier is in a protection situation (such as temperature excess, overcurrent, or other situations that can compromise the amplifier's integrity).

It will also light up when the amplifier is in standby mode. This happens for a couple of seconds at startup.

The Protection led will light off when the amplifier recovers from the abnormal situation. Shall the Protection led keep up lighted on even after a system restart, please contact an authorized service.

**E) LIMITER LEDS:** The limiter leds light up to indicate that the amplifier is delivering the maximum power set by the limiter circuit. The limiter prevents the loudspeaker from receiving excessive or distorted signal. Continuous lightning of these leds indicate that the signal is being massively compressed. In this case, the input level should be reduced in order to get a proper dynamic headroom.

**Model Specifications:**

**F) MODEL DATA:** The basic data of the model is found here:

- Model reference
- Amplifier rated power (Watts)
- Maximum Sound Pressure Level delivered by the system (dB SPL)

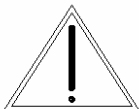
**G) QR CODE:** For further information about the specifications of the system, a QR Code is available on this panel.

To scan the QR code you need a mobile device with camera, a QR Code reader application(\*) and an internet connection. When the QR is scanned, the web surfer of your mobile device will be redirected to the product page of Master Audio's web site, when you can find all the information related to the product.

(\*)QR Code reader applications are available for free for the most common smartphone platforms: iPhone/iPad (App Store), Android Marketplace, Blackberry AppWorld and Bada App Market.

**Connection Plate**

**H) AC MAINS INPUT:** Mains supply connection via PowerCon. Blue connector for AC in.



Always use mains power cable supplied by manufacturer.  
Never connect the Joker cabinets to an unearthed mains supply or by using an unearthed mains cable.

**I) BALANCED INPUT/LINK:**

XLR-3 Female balanced signal connector for signal input.

XLR-3 Male connector for parallel connection of various cabinets with the same input signal.

**IMPORTANT:** Please always use balanced microphone cable with the following pin assignment:

1= Shield (Ground) 2= Live (+) 3= Return (-)

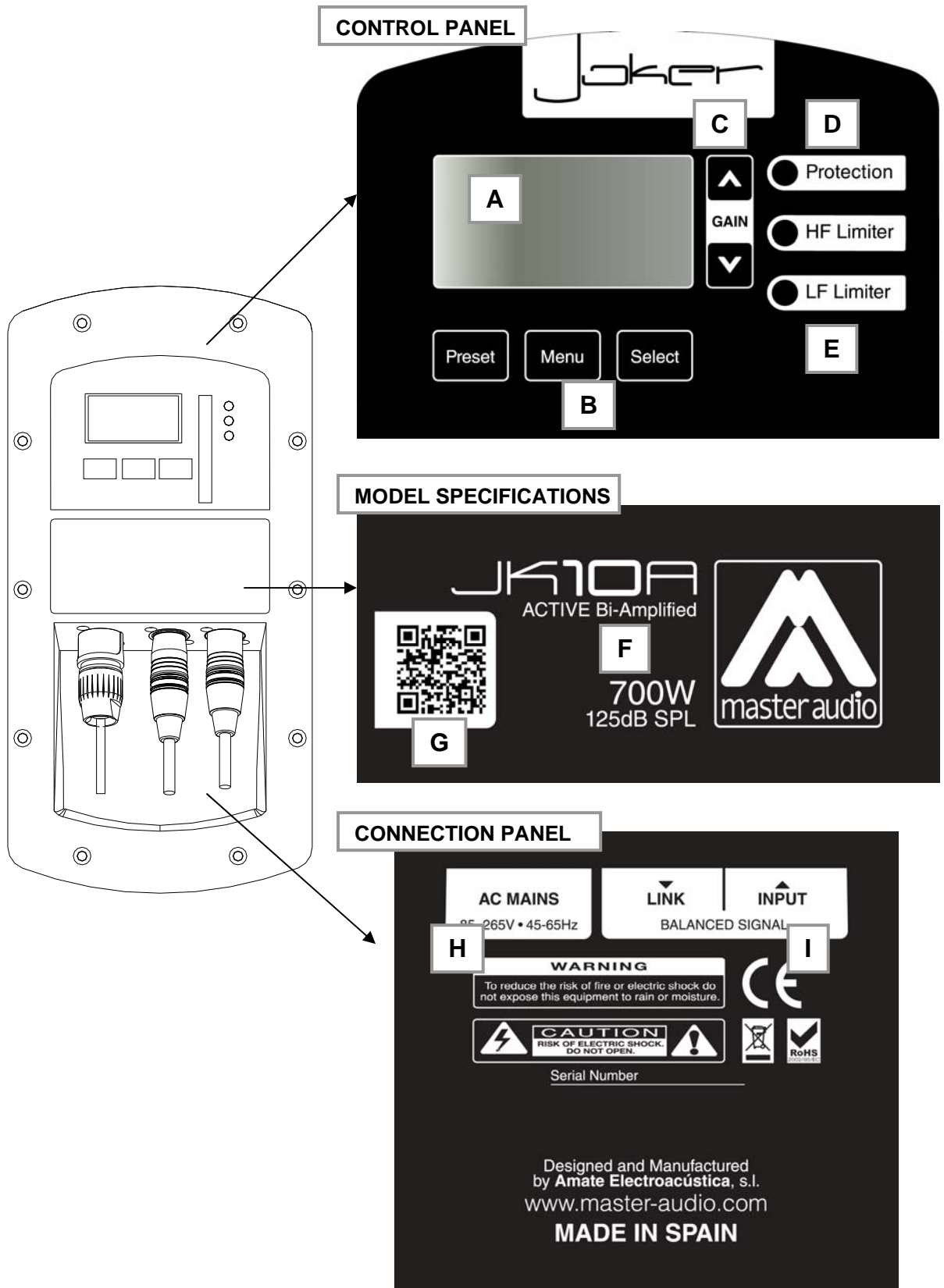


Fig.1. Joker control and connection panel

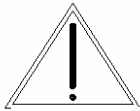


## 2.2. Configurations

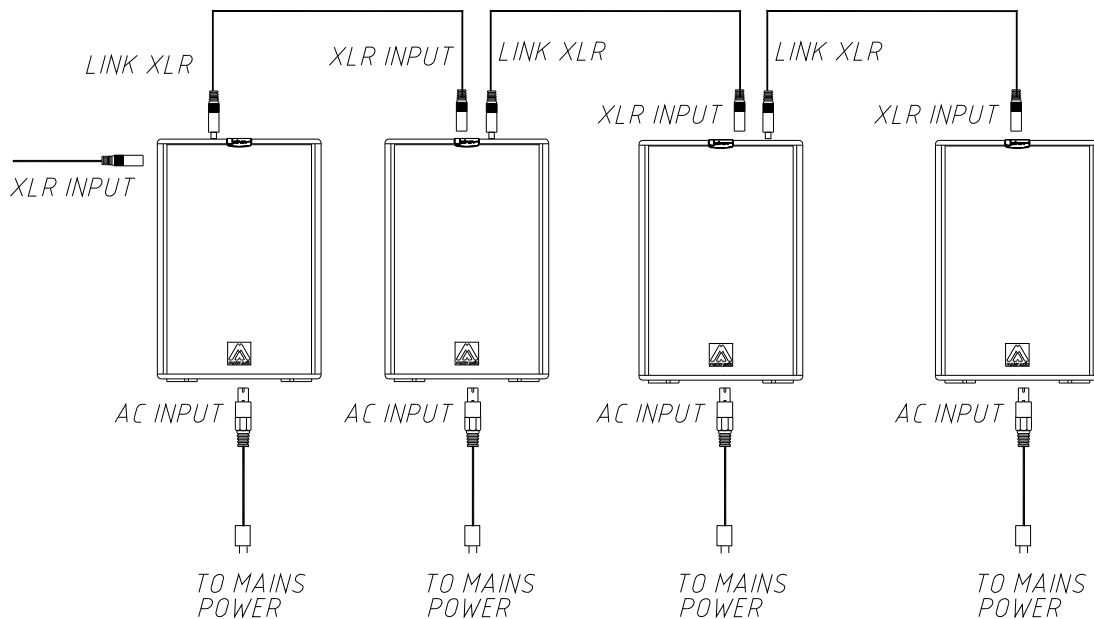
### 2.2.1. Parallel connection

Connect the signal (mixing desk output) to INPUT on the first unit. Use the LINK output to transfer the INPUT signal to the second unit and thus sequentially for further units. All of the units in this chain must be switched on.

For the mains connection use the cable with the blue Neutrik PowerCon NAC3FCA.



Do not connect Joker series units using PowerCon without earth.



**Fig.2.** Parallel connection for Joker cabinets

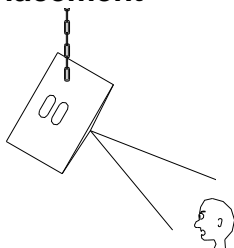
### 2.2.2 Parallel connection with subwoofer

You can connect the Joker subwoofers in parallel with Joker full range cabinets. Please, follow the same parameters as explained in figure 2.

## 3. MOUNTING AND PLACEMENT

For a proper installation of the acoustic cabinet systems, it is strongly recommended to carefully read the following advices.

### 3.1. Placement



The Full Range cabinets should be located in a high position (between two or three meters), slightly inclined to the audience. If the loudspeakers are located too low, the listeners at the end of the room will not hear a good sound quality.

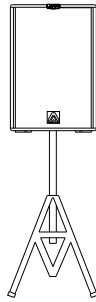
**Fig.3.** Flying placement

It is advisable to locate the subwoofer units on the floor as they can take advantage of the so-called “floor-effect”, thus increasing the response in the low frequencies.

If possible, place the subwoofers under the same acoustic axis used for the satellites.

If the above option can not be carried out, then they should be placed in an intermediate point between the left and right channels.

### 3.2. Tripod use

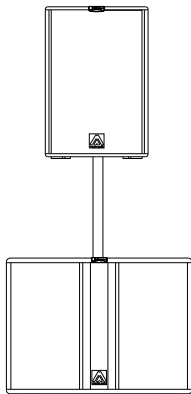


The JK26A, JK10A, JK12A, JK15A, JK10MA and JK12MA models are equipped with a tripod socket for use with a standard 35mm tripod.

Do not use the tripod on non-flat floors and be careful not to raise the cabinet too high on the tripod, as it may become unstable.

**Fig.4.** Full range cabinet with tripod

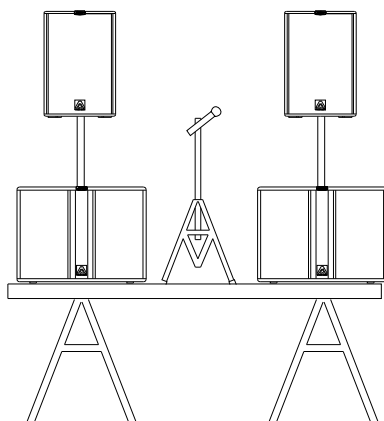
### 3.3. Full range cabinet with subwoofer



The JK12WA, JK15WA, JK18WA1 and JK18WA2 are equipped with a M20 Plate for a 35mm distance rod. You can use it to place over the subwoofer the models that are equipped with the tripod socket (JK26A, JK10A, JK12A, JK15A, JK10MA and JK12MA). Be careful not to use this system on non-flat surfaces as it may become unstable.

**Fig.5.** Full range cabinet with subwoofer

### 3.4. Live applications (mobile)



For a mobile application, whether it is an outdoor or indoor installation, the common location is to place the bass units (one or two per channel) on each side of the stage.

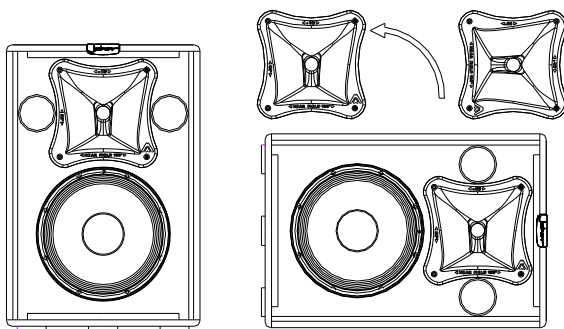
**Fig.6.** Mobile applications

To obtain a clear and free-distortion reproduction, it is advisable to place the mid-high units on top of the low units keeping between them an approximate height of two meters. If such height cannot be achieved nor maintained, it is advisable to use the classical tripod for each mid-high cabinet and leave the low units on the floor.

**WARNING!!!** For installations that suffer from acoustic problems and in which it is necessary to reinforce the response in the low frequencies, it is advisable to group all the subwoofers together in the same point. By this way, cancellations will be avoided and a higher acoustic pressure level will be obtained.

### 3.5. Asymmetrical and rotatable horns

The JK10A, JK12A, JK15A and JK318A models incorporate an asymmetrical dispersion horn which will optimise coverage either in horizontal or vertical position.



To rotate the horn, unscrewed the frontal grille, and then, unscrewed the four fixing screws of the horn. Rotate it 90 degrees taking care of the wires. Screw the horn again and finally place the frontal grille in its right position.

**Fig.7.** Rotatable horn

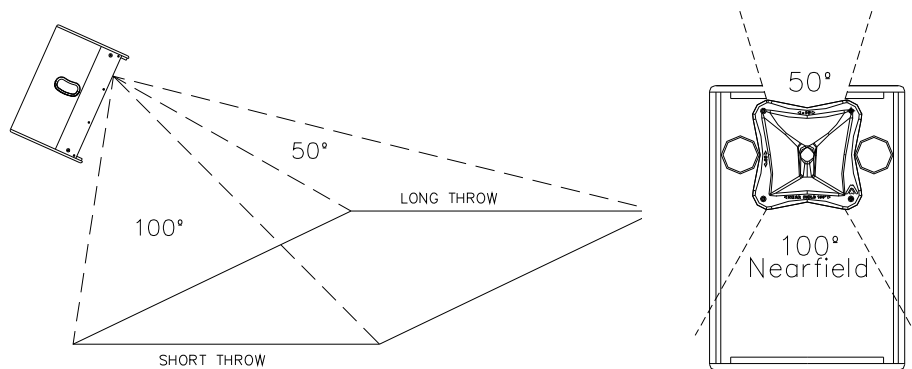
Good coverage of audiences often is a conflicting combination of:

- \*wide coverage for the closest audience (short throw)
- \*narrow coverage for distant areas (long throw)

The asymmetrical dispersion horn coverage varies from "short throw" to "long throw" along the vertical axis (keeping a constant vertical directivity). In conclusion, directivity feature of (50° to 100°(H), 55°(V)) can be seen as if the horn itself had "two" horizontal directivities (audience coverage), which depend on the distance. For short distances the horn should be used with its "wide" dispersion (100°). For long distances the horn should be used with its "narrow" dispersion (50°). We suggest you to pay attention to the following examples.

#### 3.5.1. Vertical-Positioned Cabinets (Flown and aiming to the audience)

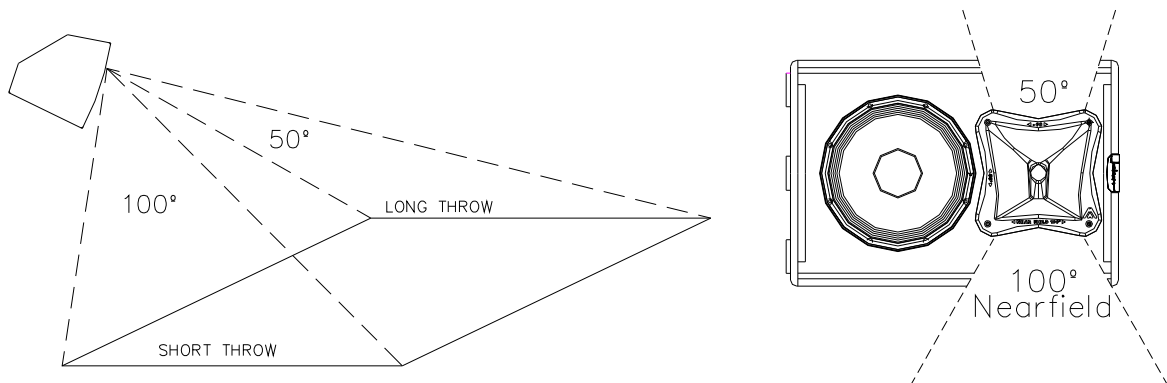
We need wide coverage (100°) for the closest listeners and narrow coverage for the distant audience.



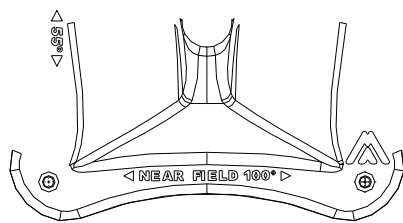
**Fig.8.** Vertical position

### 3.5.2. Horizontal-Positioned Cabinets (Flown and aiming to the audience)

We need wide coverage (100°) for the closest listeners and narrow coverage for the distant audience.



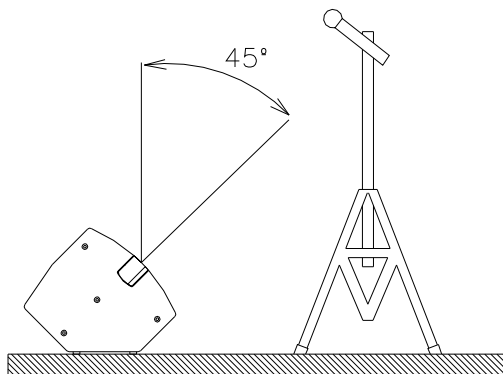
**Fig.9.** Horizontal position



**WARNING:** The horns have the "Nearfield" mark printed on the 100° horizontal coverage side.

**Fig.10.** "Near Field" logo

### 3.6. Stage monitor use



The JK10MA is a trapezoidal-shape type cabinet so it can be used as floor monitor without extra accessories.

**Fig.11.** Stage monitor use

### 3.7. Rotatable logo

JK26A, JK10A, JK12A, JK15A, JK318A, JK10MA model logos can be rotated.

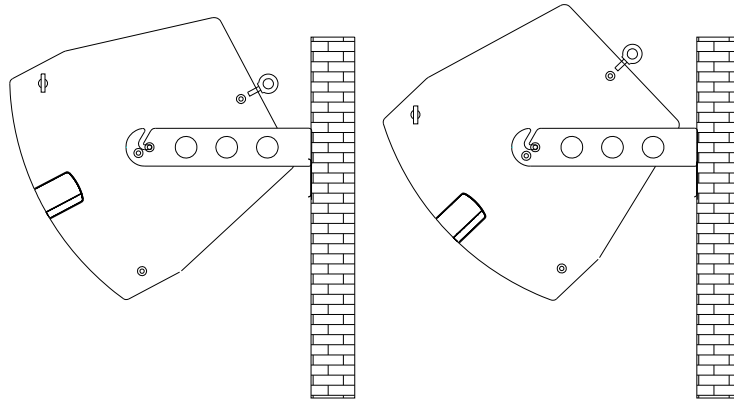
### 3.8. Flying

Only experienced people should fly speaker cabinets. Extreme care should be taken to assure the load bearing capabilities of the structures where the cabinets will be placed. Hanging hardware (as chains, eyebolts, lock pins...) should be regularly inspected and replaced if in doubt.

**WARNING!!! DO NOT SUSPEND THE CABINETS FROM THE HANDLES!!!!**

### 3.8.1. JK26A, JK10A, JK12A, JK15A, JK10MA and JK12MA horizontal flying with “U” bracket

The JK26A may be wall mounted by the SP26 “U” bracket accessory.  
The JK10A and JK10MA may be wall mounted by the SP10 “U” bracket accessory.  
The JK12A and JK12MA may be wall mounted by the SP12 “U” bracket accessory  
The JK15A may be wall mounted by the SP15 “U” bracket accessory



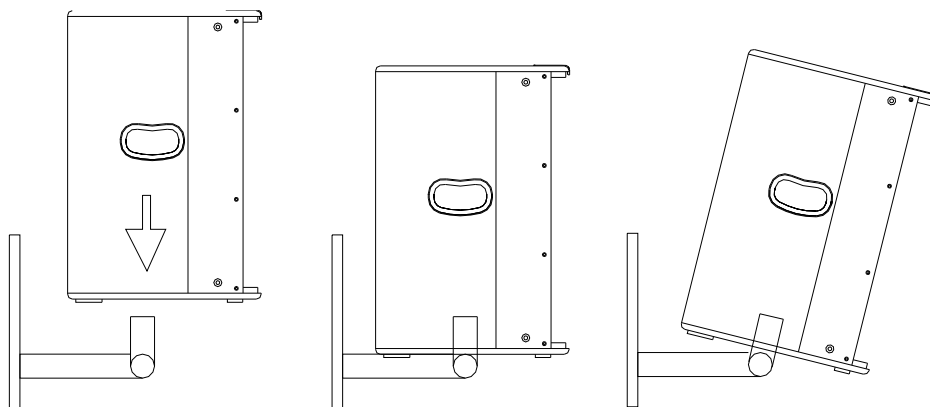
**Fig.12.** SPXX bracket

#### **Mounting:**

- 1- Hold the bracket against the mounting surface, so you can mark the locations of the mounting holes
- 2- Drill corresponding pilot holes on the wall and attach the bracket with screws
- 3- Remove the top hat socket from the cabinet and put the M8 round plate (in JK26A/JK10A/JK12A/JK15A/JK10MA)
- 4- Set the cabinet on the bracket and fix it through the two M8 bracket knobs
- 5- Adjust the cabinet for desired position and angle

### 3.8.2. JK26A, JK10A, JK12A, JK10MA and JK15A flying with SP35 wall stand

These models may be wall mounted by the SP35 wall stand accessory.



**Fig.13.** SP35 wall stand

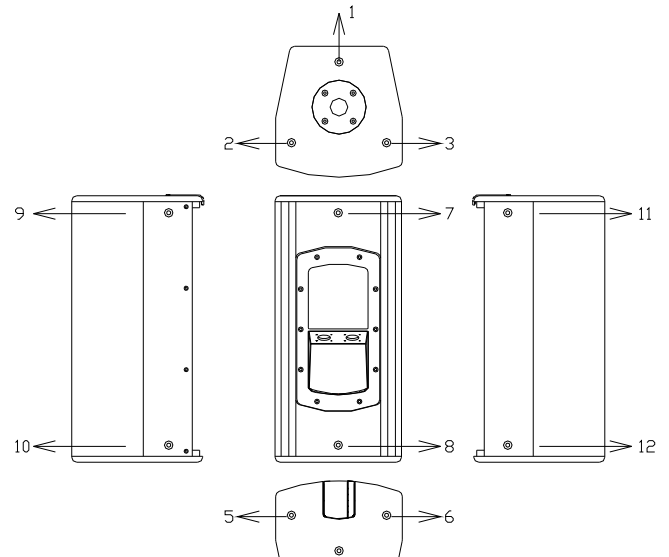
#### **Mounting:**

- 1- Hold the wall stand against the mounting surface, so you can mark the locations of the mounting holes

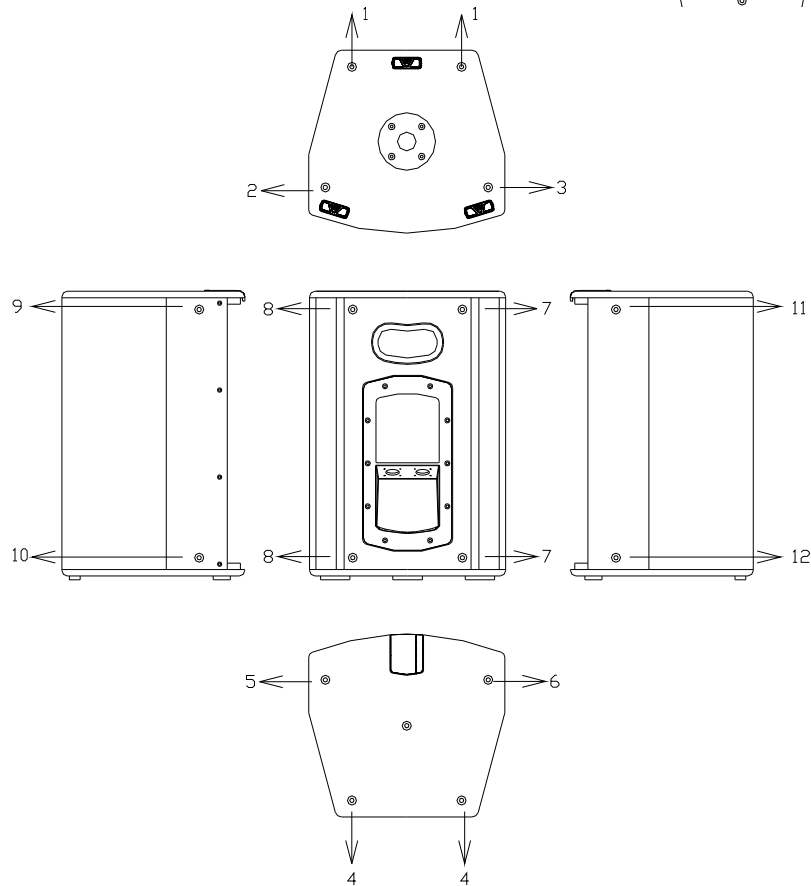
- 2- Drill corresponding pilot holes on the wall and attach the bracket with screws
- 3- Set the cabinet on the 35mm pole
- 4- Adjust the cabinet for desired angle

**3.8.3. JK26A, JK10A, JK12A, JK15A, JK10MA, JK12MA and JK318A flying with ACR-M8 eyebolts (optional accessory)**

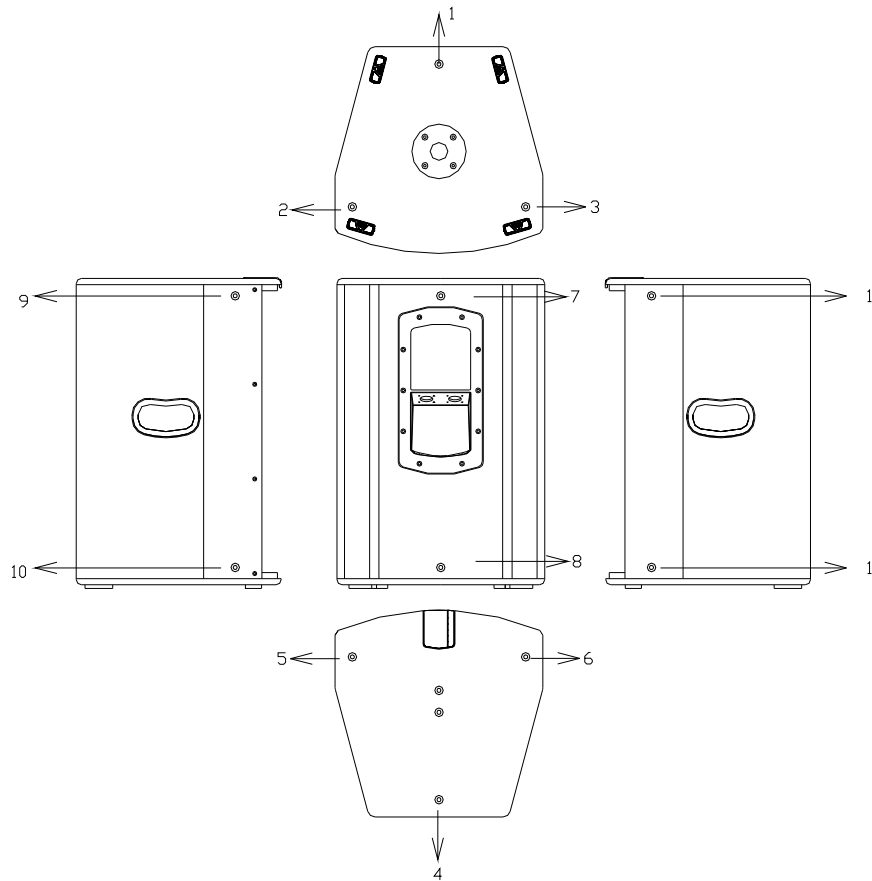
These models provide several M8 flying points. Their correct use will permit the flying in horizontal or vertical position.



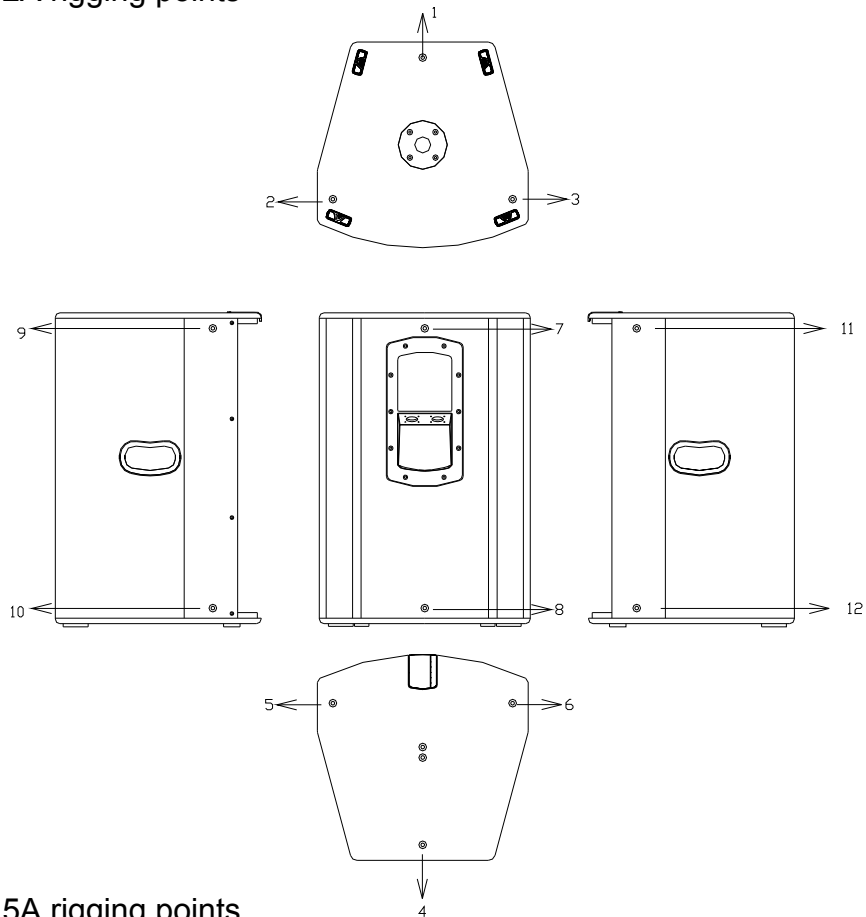
**Fig.14.** JK26A rigging points



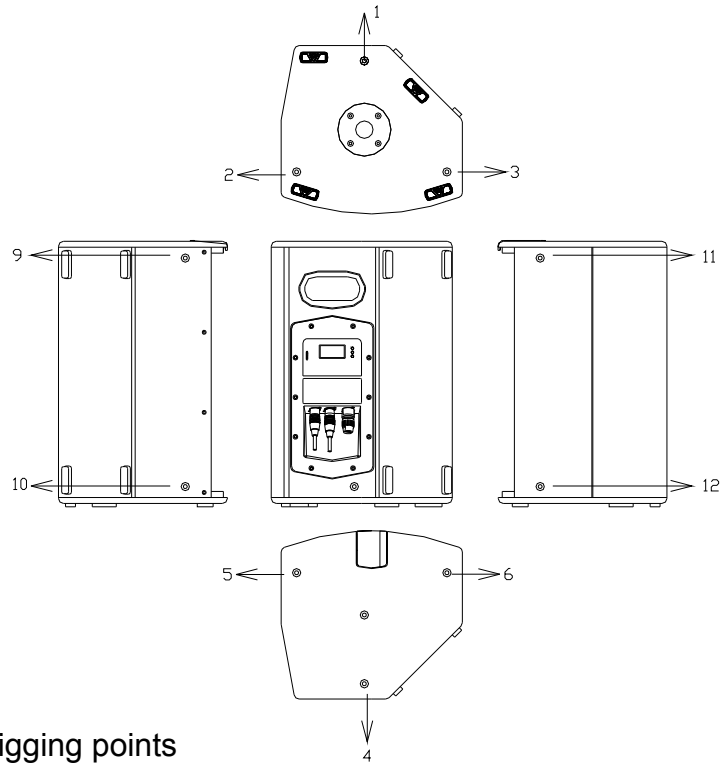
**Fig.15.** JK10A rigging points



**Fig.16.** JK12A rigging points

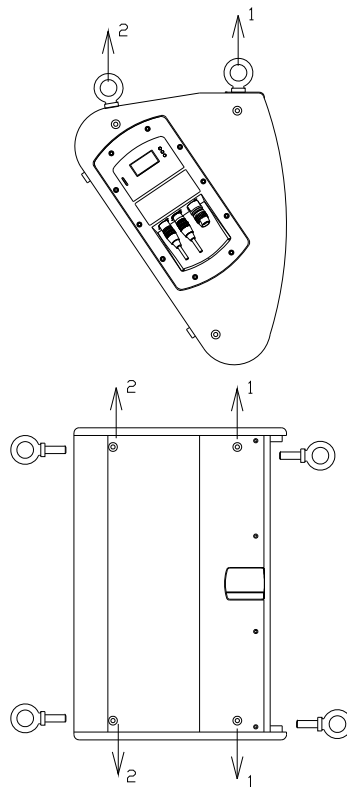


**Fig.17.** JK15A rigging points



**Fig.18.** JK10MA rigging points

	<b>JK26A</b>	<b>JK10A</b>	<b>JK10MA</b>	<b>JK12A</b>	<b>JK15A</b>
<b>Horizontal flying</b>	2&5 or 3&6 or 9&10 or 11&12 (front rigging points) 1&4 or 7&8 (back tilt points)				
<b>Vertical Flying</b>	2&3 or 5&6 or 9&11 or 10&12 (front rigging points) 1 or 4 or 7 or 8 (back tilt points)				

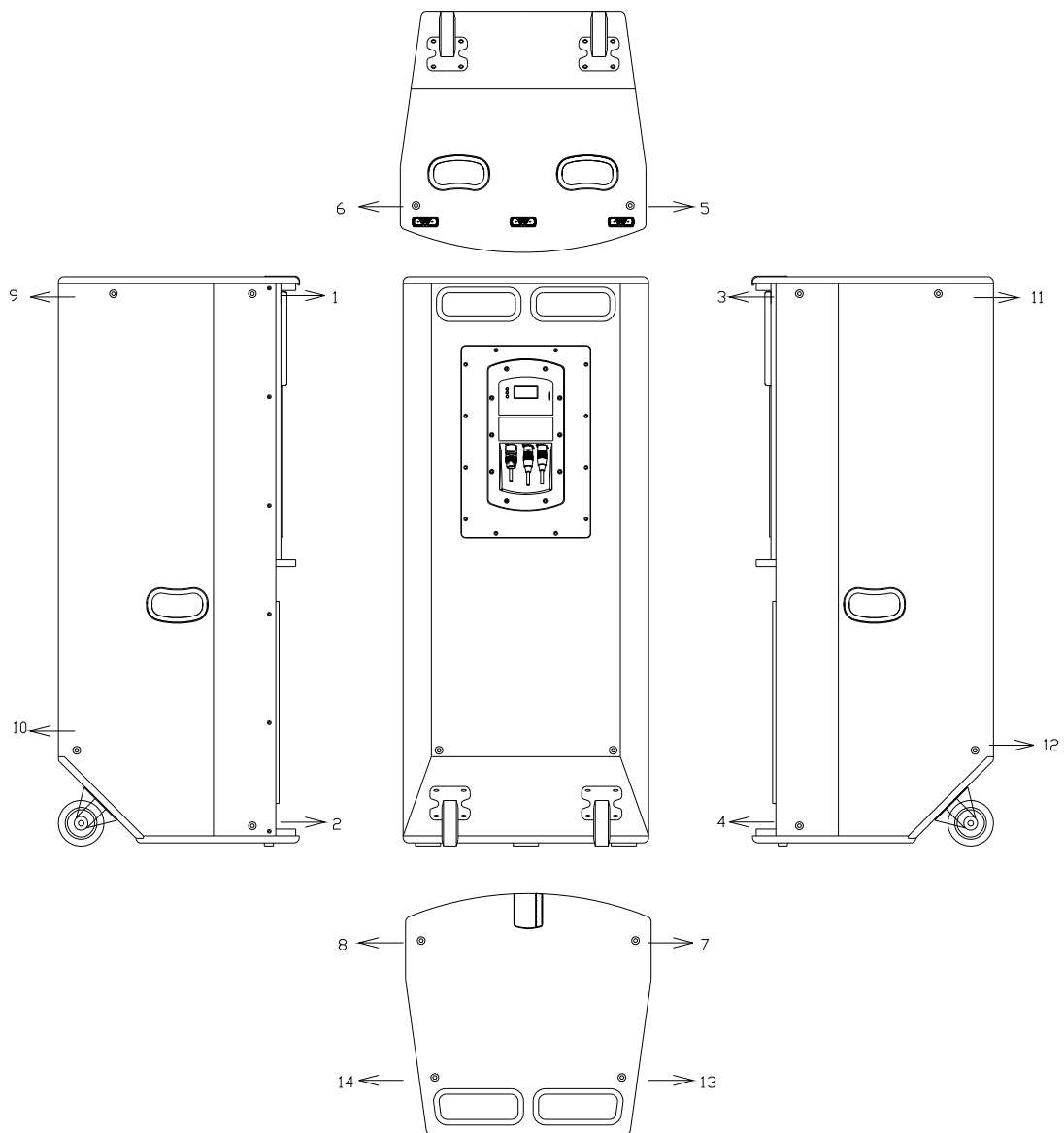


**Fig.19.** JK12MA rigging points



	<b>JK12MA</b>
<b>Vertical Flying</b>	1 (front rigging points) 2 (back tilt points)

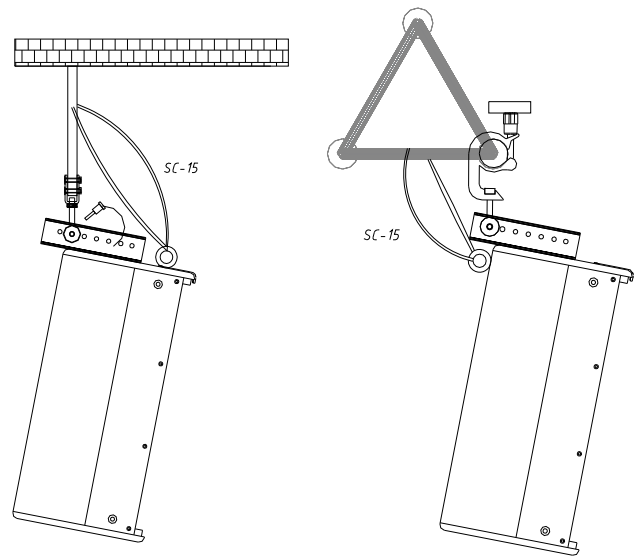
	<b>JK318A</b>
<b>Horizontal flying</b>	1&2 or 3&4 or 5&7 or 6&8 (front rigging points) 9&10 or 11&12 (back tilt points)
<b>Vertical Flying</b>	1&3 or 7&8 (front rigging points) 9&11 or 13&14 (back tilt points)



**Fig.20.** JK318A rigging points

### 3.8.4. JK26A, JK10A, JK10MA, JK12A and JK15A vertical flying with “HR” bar

Use HR26 flying bar for JK26A  
Use HR10 flying bar for JK10A  
Use HR1215 flying bar for JK10MA  
Use HR1215 flying bar for JK12A  
Use HR1215 flying bar for JK15A



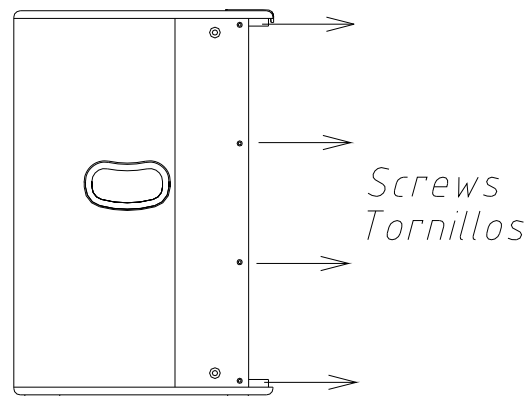
**Fig.21.** “HR” flying bar for Joker cabinets

### 3.8.5. JK12WA, JK15WA, JK18WA1, JK18WA2 flying

These models are not prepared for flying.

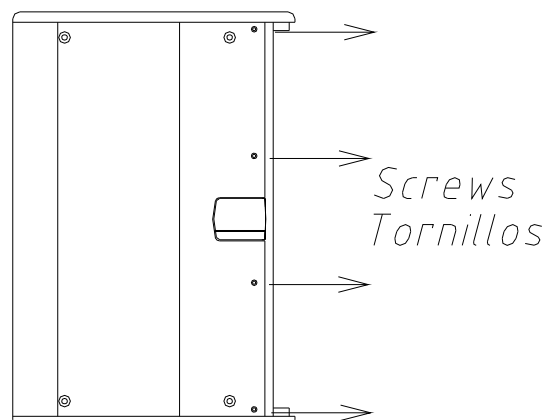
### 3.9. Joker grille

To remove the front grille,  
first remove the screws  
on the left side.



**Fig.22.** Grille screws

On JK12MA, first remove the  
screws on the top side.



**Fig.23.** Grille screws on JK12MA

## 4. SYSTEM SETUP

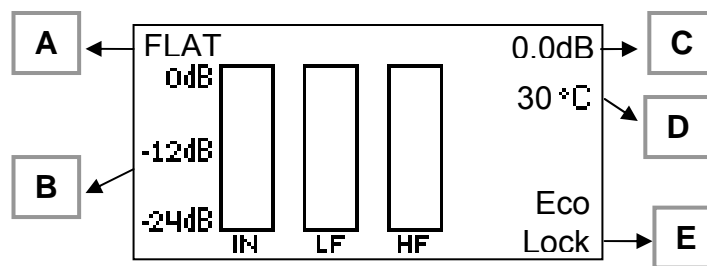
Thanks to their internal microcontroller and DSP System, the Joker Active cabinets can be configured for different applications. This section explains all the possible configurations.

The LCD and keypad on the cabinet's back panel are used for the setup.

**IMPORTANT: To enter the Menu, the keypad must be unlocked by simultaneously pressing the keys MENU and SELECT**

### 4.1 Startup and Main Screen

At startup the LCD screen will show the Master Audio and Joker logo. After a few seconds, the main screen shown in Fig. 24 will be displayed:



**Fig. 24:** Main screen display

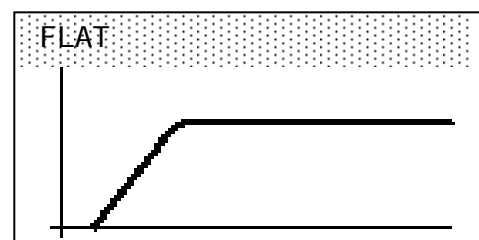
- A: Current preset
- B: Input and Output levels
- C: Gain level
- D: Temperature of the power stage
- E: Special features
  - Eco: when Ecomode is enabled
  - Lock: shows when the keypad is locked
  - Polarity: positive (Pol+) or negative (Pol-) (only in Subwoofers)

### 4.2 Selecting a Preset

To change the Preset, follow these steps:

1) If the keypad is locked, unlock it with MENU + SELECT

2) Press PRESET once. You will enter the Preset menu, and the current preset will be shown



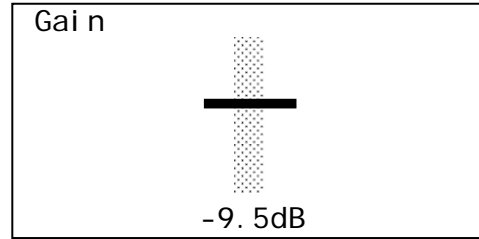
3) Press PRESET to browse through the available presets of the system. When you find the desired one, press SELECT to set it as the current preset. You will be redirected to the main screen

### 4.3 Gain setting

In order to change the gain, first unlock the keypad with MUTE + SELECT and then press UP or DOWN. Then you will enter the gain setting screen.

The Gain can be adjusted between 0dB and -20dB. When -20dB level is reached, and the DOWN key is further pressed, the system will mute and this will be shown in the screen. To unmute the system, press the UP key at least once.

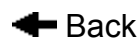
To accept the gain setting and go back to the main screen, press SELECT. Should this not happen after 30 seconds, the system will automatically switch to the main screen.



### 4.4 Browsing the menus

To browse the menus, the MENU and SELECT keys are used. Always remember to unlock the keypad to perform an action.

MENU browses the different options on each level. To accept an option, press SELECT. To enter the main menu, press MENU once. The following options are available:



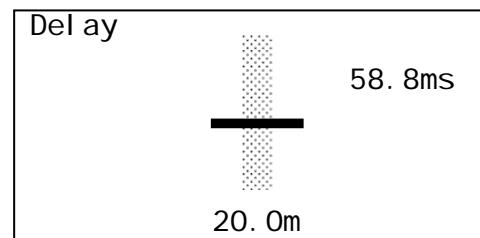
Press SELECT to enter to the submenus.

#### AUDIO SETTINGS MENU

Using the MENU key, the following options can be browsed. Press SELECT to enter each of them.

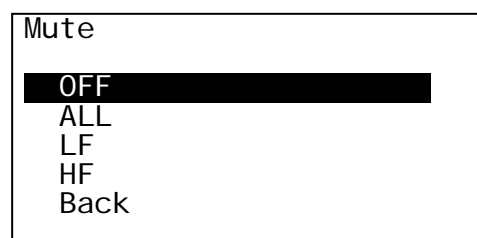
**Gain:** Access to the Gain slider described in Section 4.3.

**Delay:** A 40-meter delay line is available. Use the UP and DOWN arrows to set the desired delay between 0 and 40m. Press SELECT to finish.

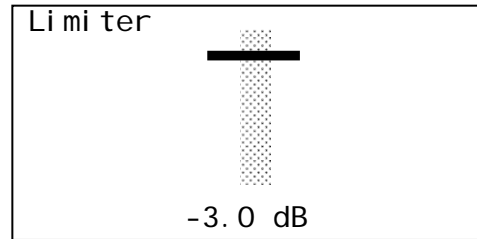


**Mute:** Here the system can be muted. Two-way systems offer also the chance of muting only one of the ways, useful for check and service.

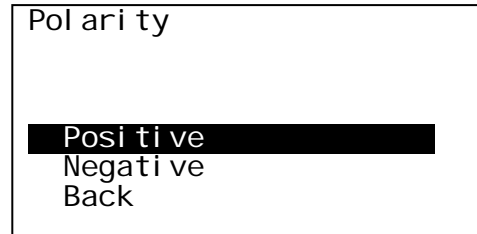
Once you are finished, go to "Back" and press SELECT. Whenever one or more transducers are muted, the word MUTE will be shown in the main screen.



**Limiter:** Adjust the limiter Threshold, using UP and DOWN arrows. Default setting is 0dB (maximum power)  
Once you are finished, press SELECT.



**Polarity** (only for Subwoofers): select between positive and negative polarity (180° inversion). It provides a very useful feature to quickly align the subwoofers in one application.

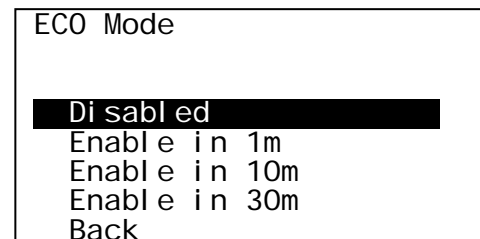


### CONFIGURATION MENU

Entering the configuration menu, the following options can be set:

**ECO Mode:** Under this option, the ECO mode can be disabled or enabled with different sleep times.

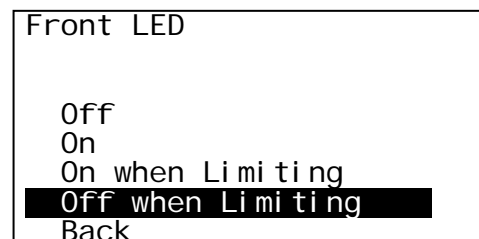
Under the ECO mode, the system will continuously analyze the input signal. If no input signal is present after the number of minutes selected in this option, the system will go in a low power consumption mode (standby). This condition will be indicated by a message in the LCD.



When the audio signal is present again, the system will wake up and continue playing until the input signal is gone the next time.

If the Eco mode is selected, the word Eco will display in the main screen.

**IMPORTANT:** The system needs about 2 seconds to wake up from the low power consumption mode. It is not recommended to use it for time-critical applications.



**Front LED:** Joker active cabinets are equipped with a front led, that lights up when the cabinet is powered on.

The behaviour of the front LED can be changed here:

Off: The front led remains always off

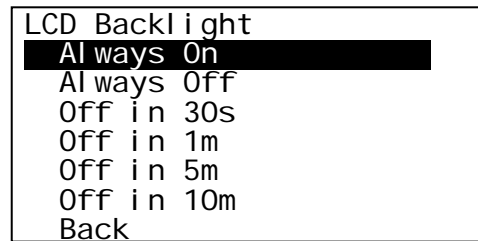
On: The front led remains always on

On when Limiting: The front led is normally off and lights up when either of the limiters are active.

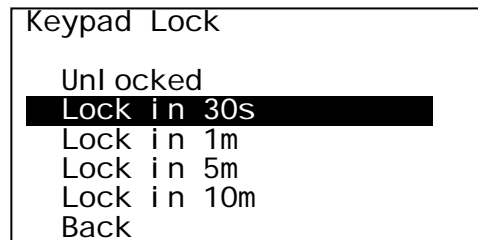
Off when Limiting: The front led is normally on and turns off when either of the limiters is active (the default setting):

**IMPORTANT:** In the default setting, the Font Led will be lit Off when either of the limiters is active.

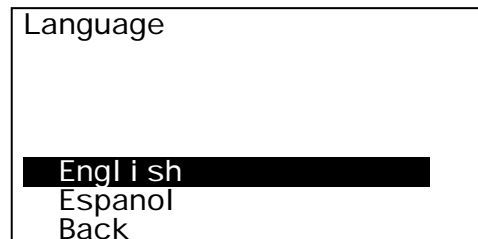
**Backlight:** Select how the backlight of the LCD in the back panel will behave. The backlight will always light up after a key press except when the option “Always Off” is selected here.



**Keypad lock:** Choose whether the keypad is locked or not after no activity (the timeout can be configured here). Remind that the keypad is unlocked by pressing MUTE+SELECT keys at the same time

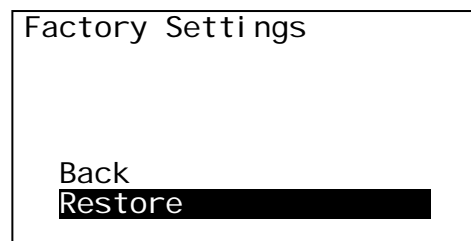
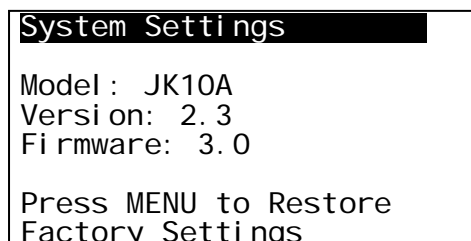
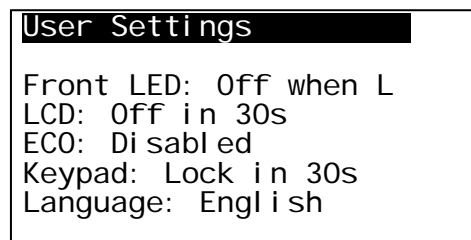
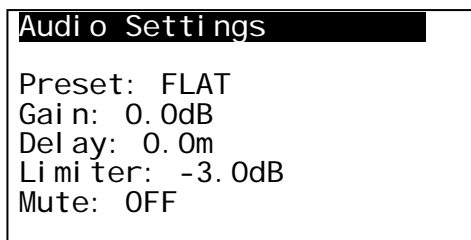


**Language:** Select here the user interface language. Press SELECT to change to the highlighted option



**INFO MENU**

This option provides a quick overview of all the current settings of the system. Press SELECT to get the information displayed. There are three information screens, which can be switched by pressing SELECT.



In the last screen (Settings), it is also possible to reset the system to the factory values. To do this, press MENU and then highlight the option Restore with MENU. Press SELECT to confirm

The factory default for a Joker system is the following:

### Audio Settings

- Preset: FLAT
- Gain: 0.0dB
- Delay: 0m
- Mute: Off
- Polarity: Positive (Pol+) (only in subwoofers)

### User settings:

- Front LED: Off when Limiting
- Backlight: Off after 30 seconds of no activity
- ECO Mode: Off
- Keypad Lock: 30s MENU+SELECT
- Language: English

## 4.6 Special Features

### Automatic Temperature Limiter

Under normal operation, Joker amplifiers are able to perform during many hours at full power. However, should the temperature in the amplifier rise abnormally, the system will automatically adjust the limiter threshold to try to compensate for the temperature raise. The system will progressively lower the output gain.

When the temperature lowers again, the system will recover its normal operation.

Should the temperature continue rising and reach 90°C at the amplifier's heatsink, the system will shut down in Protection mode.

### Input Overload Protection

Joker systems are equipped with a high range input (+20dBu – 8V), but still there are sound sources and mixers capable of delivering a higher output voltage.

It must be notice that **driving a system continuously over its nominal input level may drastically decrease the sound quality**, normally because of the lack of headroom (dynamic response). In the long term, it might also produce unnecessary aging of the transducers.

Also **the maximum power of the system is obtained at its nominal input level**, and working above it does not translate into better results.

Joker Systems are equipped with an input monitoring system that will prevent the cabinet from being continuously operated at excessive input signal levels. After a long period of exposure to high input levels, the cabinet will enter in Input Overload Protection mode, meaning that:

- Output signal will be **reduced by 20dB**
- All limiter leds will be lit
- The front power led will blink
- A message will be shown in the LCD (**Input Overload**)

To get back to the normal operation mode, the input level should be reduced to +8dBu (2V), which is the nominal and recommended value.

## 5. TECHNICAL FEATURES

	JK26A	JK10A	JK12A	JK15A
<b>Audio Input</b>				
Sensitivity	+2dBu	+8dBu		
Impedance	20k $\Omega$			
<b>Mains Supply</b>				
Type	Universal switching power supply 85-265VAC / 45- 65Hz			
Heavy duty musical program	0.3A	0.7A		
<b>Standby mode consumption</b>	<5W			
<b>Analog converters</b>	24 bit / 48kHz			
<b>DSP architecture</b>	48 bit			
<b>Built-in delay line</b>	118ms / 40m			
<b>Frequency response</b> Usable bandwidth (-10 dB)	65Hz-20kHz	50Hz-18kHz	48Hz-19kHz	45Hz-19kHz
<b>Maximum output level (1m/continuous)</b>	118 dB	125 dB	126 dB	127 dB
<b>Amplifier (program)</b>	200 + 30W	600 + 100W		
<b>Nominal directivity (-6dB)</b>	90° x 90°	50° to 100° x 55°		
<b>Components</b>				
LF	2 x 6" neodymium woofers	1 x 10" neodymium woofer	1 x 12" woofer	1 x 15" woofer
HF	1 x 1" neodymium tweeter, titanium diaphragm	1 x 1.4" PETP diaphragm driver	1 x 1.75" PETP diaphragm driver	
<b>Cabinet</b>				
Type	Bass-reflex			
Height	532 mm	539 mm	609 mm	689 mm
Width	250 mm	365 mm	410 mm	460 mm
Depth	260 mm	340 mm	405 mm	450 mm
Weight (net)	9,5 Kg	14,6 Kg	22,7 Kg	27,2 Kg
Connectors	1 x AC PowerCon (input, link) 2 x XLR (input, link)			
Material	Birch plywood, Steel front grille with acoustic foam			
Finish	Hi-resistance weatherproof Polyurea paint			



	JK12WA	JK15WA	JK18WA1	JK18WA2
<b>Audio Input</b>				
Sensitivity	+2dBu			
Impedance	20k $\Omega$			
<b>Mains Supply</b>				
Type	Universal switching power supply 85-265VAC / 45- 65Hz			
Heavy duty musical program	0.8A	1A	1A	2A
<b>Standby mode consumption</b>	<5W			
<b>Analog converters</b>	24 bit / 48kHz			
<b>DSP architecture</b>	48 bit			
<b>Built-in delay line</b>	118ms / 40m			
<b>Frequency response</b> Usable bandwidth (-10 dB)	38Hz-90/100 /110/120Hz	36Hz-90/100/120Hz	32Hz-90/100/110Hz	30Hz-90/100/110Hz
<b>Maximum output level</b> 1m/continuous)	123 dB	127 dB	128 dB	132 dB
<b>Amplifier (program)</b>	500W	1000W		2000W
<b>Nominal directivity (-6dB)</b>	omnidirectional			
<b>Components</b>				
LF	1 x 12" woofer (3" voice coil)	1 x 15" woofer (4" voice coil)	1 x 18" woofer (4" voice coil)	
HF	-		-	-
<b>Cabinet</b>				
Type	Band-pass			
Height	387 mm	475 mm	552 mm	
Width	520 mm	630 mm	740 mm	
Depth	530 mm	630 mm	710 mm	
Weight (net)	25,6 Kg	41,6 Kg	50,9 Kg	51,9 Kg
Connectors	1 x AC PowerCon (input, link) 2 x XLR (input, link)			
Material	Birch plywood, Steel front grille with acoustic foam			
Finish	Hi-resistance weatherproof Polyurea paint			

	<b>JK10MA</b>	<b>JK12MA</b>	<b>JK318A</b>
<b>Audio Input</b>			
Sensitivity	+8dBu		
Impedance	20kΩ		
<b>Mains Supply</b>			
Type	Universal switching power supply 85-265VAC / 45- 65Hz		
Heavy duty musical program	0.7A		3.9A
<b>Standby mode consumption</b>	<5W		
<b>Analog converters</b>	24 bit / 48kHz		
<b>DSP architecture</b>	48 bit		
<b>Built-in delay line</b>	118ms / 40m		
<b>Frequency response</b>	50Hz-	48Hz-	35Hz-19kHz
Usable bandwidth (-10 dB)	18kHz	20kHz	
<b>Maximum output level (1m/continuous)</b>	124 dB	126 dB	132 dB
<b>Amplifier (program)</b>	600+100W		2400+600W
<b>Nominal directivity (-6dB)</b>	70° x 70°	60° x 40°	50° to 100° x 55°
<b>Components</b>			
LF	1 x 10" coaxial woofer (2.5" voice coil)	1 x 12" coaxial woofer (3" voice coil)	1x18" neo. woofer (4" voice coil) 1x12" neo. woofer (3" voice coil)
HF	1 x 1.75" polyester driver	1 x 3" titanium diaphragm driver	1 x 1.75" PETP diaphragm driver
<b>Cabinet</b>			
Type	Bass-reflex		
Height	539 mm	374 mm	1240 mm
Width	365 mm	600 mm	534 mm
Depth	340 mm	565 mm	524 mm
Weight (net)	15,2 Kg	24,4 Kg	59 Kg
Connectors	1 x AC PowerCon (input, link) 2 x XLR (input, link)		
Material	Birch plywood, Steel front grille with acoustic foam		
Finish	Hi-resistance weatherproof Polyurea paint		

## ESPAÑOL



**WARNING:**  
To reduce the risk of fire or electric shock do not expose this equipment to rain or moisture



### Instrucciones de seguridad

1. Todas las instrucciones de seguridad deben ser leídas antes de utilizar este aparato.
2. El signo de exclamación dentro de un triángulo indica componentes internos cuyo reemplazo puede afectar la seguridad.
3. El símbolo del rayo con la punta de la flecha indica la presencia de voltajes peligrosos no aislados.
4. Este equipo no debe ser expuesto a la lluvia ni a la humedad. No lo use, por ejemplo, cerca de piscinas, fuentes o cualquier lugar donde pueda ser afectado por líquidos.
5. Limpie el aparato sólo con paños secos.
6. No instale el aparato cerca de ninguna fuente de calor, como radiadores, estufas u otros aparatos que emitan calor.
7. Este equipo debe ser reparado por personal cualificado del servicio técnico cuando:
  - A. El cable de red esté dañado, ó
  - B. Algún objeto o liquido haya dañado el aparato; ó
  - C. El equipo no funcione de una manera normal (correcta); ó
  - D. El equipo se haya expuesto a la lluvia; ó
  - E. El chasis esté dañado
8. Desconecte el aparato en caso de tormentas eléctricas o cuando no vaya a emplearlo durante largos períodos de tiempo.
9. No cuelgue nunca el equipo por el asa.
10. Use sólo accesorios recomendados por el fabricante.

## 1. INTRODUCCIÓN

### 1.1. Generalidades

Master Audio le agradece la confianza depositada en nuestros productos de la Serie Joker. Le sugerimos lea atentamente las indicaciones que a continuación exponemos, confiando en que le serán de gran utilidad para obtener sus mejores resultados.

### 1.2. Características y presentación

#### JK26A

- Recinto autoamplificado
- Entrada y salida XLR balanceada
- Entrada AC por PowerCon
- Amplificador en Clase D de 200W para la vía grave-media
- Amplificador en Clase AB de 30W para la vía aguda
- Convertidores AD/DA de 24 bits, frecuencia de muestreo de 48kHz
- Controles DSP (delay, volumen, polaridad, presets y limitadores)
- Autodiagnóstico del sistema: potencia de salida, temperatura, limitadores
- Dos altavoces de 6" de neodimio con cono de Kevlar y bobina de 1,5"
- Tweeter exponencial de 1" de neodimio, con diafragma de Titanio

#### JK10A

- Recinto autoamplificado
- Entrada y salida XLR balanceada
- Entrada AC por PowerCon
- Amplificador en Clase D de 600W para la vía grave-media
- Amplificador en Clase D de 100W para la vía aguda
- Convertidores AD/DA de 24 bits, frecuencia de muestreo de 48kHz
- Controles DSP (delay, volumen, polaridad, presets y limitadores)
- Autodiagnóstico del sistema: potencia de salida, temperatura, limitadores
- Altavoz de 10" con bobina de 2,5"
- Motor de agudos con diafragma de PETP de 1,4"
- Difusor de dispersión asimétrica 50° a 100° (H) x 55° (V)

#### JK12A

- Recinto autoamplificado
- Entrada y salida XLR balanceada
- Entrada AC por PowerCon
- Amplificador en Clase D de 600W para la vía grave-media
- Amplificador en Clase D de 100W para la vía aguda
- Convertidores AD/DA de 24 bits, frecuencia de muestreo de 48kHz
- Controles DSP (delay, volumen, polaridad, presets y limitadores)
- Autodiagnóstico del sistema: potencia de salida, temperatura, limitadores
- Altavoz de 12" con bobina de 3"
- Motor de agudos de neodimio con diafragma de PETP de 1,75"
- Difusor de dispersión asimétrica 50° a 100° (H) x 55° (V)

### **JK15A**

- Recinto autoamplificado
- Entrada y salida XLR balanceada
- Entrada AC por PowerCon
- Amplificador en Clase D de 600W para la vía grave-media
- Amplificador en Clase D de 100W para la vía aguda
- Convertidores AD/DA de 24 bits, frecuencia de muestreo de 48kHz
- Controles DSP (delay, volumen, polaridad, presets y limitadores)
- Autodiagnóstico del sistema: potencia de salida, temperatura, limitadores
- Altavoz de 15" con bobina de 3"
- Motor de agudos de neodimio con diafragma de PETP de 1,75"
- Difusor de dispersión asimétrica 50° a 100° (H) x 55° (V)
- Filtro divisor pasivo diseñado con precisión para obtener los mejores resultados

### **JK12WA**

- Recinto autoamplificado de bajas frecuencias
- Entrada y salida XLR balanceada
- Entrada AC por PowerCon
- Amplificador en Clase D de 500W
- Convertidores AD/DA de 24 bits, frecuencia de muestreo de 48kHz
- Controles DSP (delay, volumen, polaridad, presets y limitadores)
- Autodiagnóstico del sistema: potencia de salida, temperatura, limitador
- Altavoz de 12" con bobina de 3"

### **JK15WA**

- Recinto autoamplificado de bajas frecuencias
- Entrada y salida XLR balanceada
- Entrada AC por PowerCon
- Amplificador en Clase D de 1000W
- Convertidores AD/DA de 24 bits, frecuencia de muestreo de 48kHz
- Controles DSP (delay, volumen, polaridad, presets y limitadores)
- Autodiagnóstico del sistema: potencia de salida, temperatura, limitador
- Altavoz de 15" con bobina de 4"

### **JK18WA1**

- Recinto autoamplificado de bajas frecuencias
- Entrada y salida XLR balanceada
- Entrada AC por PowerCon
- Amplificador en Clase D de 1000W
- Convertidores AD/DA de 24 bits, frecuencia de muestreo de 48kHz
- Controles DSP (delay, volumen, polaridad, presets y limitadores)
- Autodiagnóstico del sistema: potencia de salida, temperatura, limitador
- Altavoz de 18" con bobina de 4"

### **JK18WA2**

- Recinto autoamplificado de bajas frecuencias
- Entrada y salida XLR balanceada

- Entrada AC por PowerCon
- Amplificador en Clase D de 2000W
- Convertidores AD/DA de 24 bits, frecuencia de muestreo de 48kHz
- Controles DSP (delay, volumen, polaridad, presets y limitadores)
- Autodiagnóstico del sistema: potencia de salida, temperatura, limitador
- Altavoz de 18" con bobina de 4"

### **JK10MA**

- Recinto autoamplificado
- Entrada y salida XLR balanceada
- Entrada AC por PowerCon
- Amplificador en Clase D de 600W para la vía grave-media
- Amplificador en Clase D de 100W para la vía aguda
- Convertidores AD/DA de 24 bits, frecuencia de muestreo de 48kHz
- Controles DSP (delay, volumen, polaridad, presets y limitadores)
- Autodiagnóstico del sistema: potencia de salida, temperatura, limitadores
- Altavoz coaxial de 10" con bobina de 2.5"
- Motor de agudos con diafragma de poliéster de 1.75"
- Difusor de 70° x 70°

### **JK12MA**

- Recinto autoamplificado
- Entrada y salida XLR balanceada
- Entrada AC por PowerCon
- Amplificador en Clase D de 600W para la vía grave-media
- Amplificador en Clase D de 100W para la vía aguda
- Convertidores AD/DA de 24 bits, frecuencia de muestreo de 48kHz
- Controles DSP (delay, volumen, polaridad, presets y limitadores)
- Autodiagnóstico del sistema: potencia de salida, temperatura, limitadores
- Altavoz coaxial de 12" con bobina de 3"
- Motor de agudos con diafragma de Titanio de 3"
- Difusor de 60° x 40°

### **JK318A**

- Recinto autoamplificado
- Entrada y salida XLR balanceada
- Entrada AC por PowerCon
- Amplificador en Clase D de 2400W para la vía grave
- Amplificador en Clase D de 600W para la vía media-aguda
- Convertidores AD/DA de 24 bits, frecuencia de muestreo de 48kHz
- Controles DSP (delay, volumen, polaridad, presets y limitador)
- Autodiagnóstico del sistema: potencia de salida, temperatura, limitadores
- Altavoz de neodimio de 18" con bobina de 4"
- Altavoz de 12" de neodimio con bobina de 3"
- Motor de agudos de neodimio con diafragma de PETP de 1,75"
- Difusor de dispersión asimétrica 50° a 100° (H) x 55° (V)

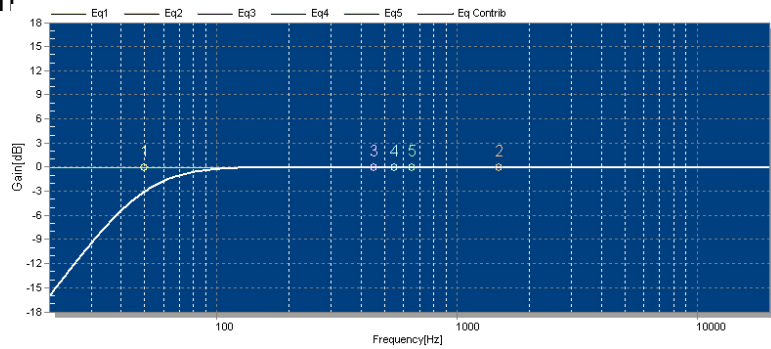
### 1.3. Presets en modelos Full range

Las cajas full range de la serie Joker incluyen varios presets de fábrica, útiles para diferentes tipos de aplicación

#### FLAT

Respuesta plana

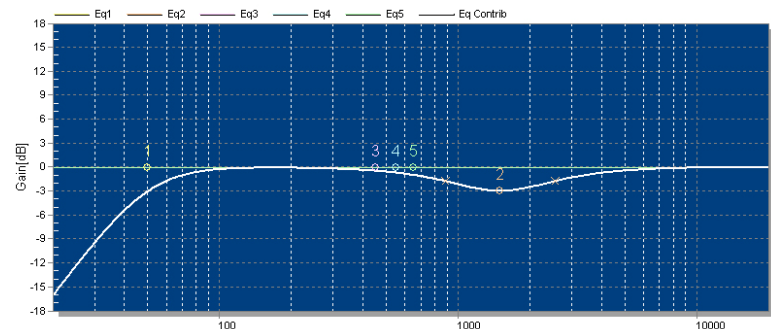
- Preset estándar



#### NEARFIELD

-3dB medias frecuencias (800Hz-3kHz)

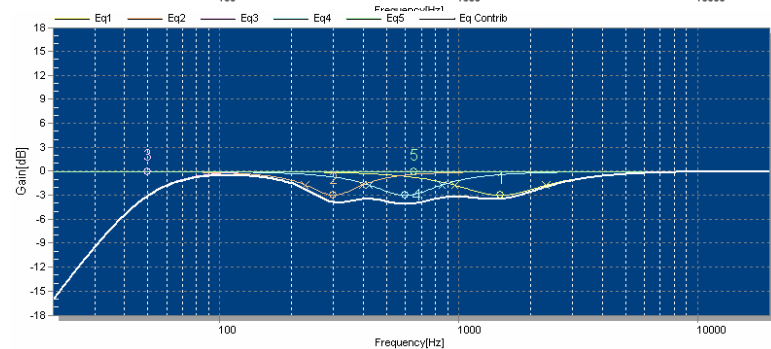
- Recintos pequeños
- Nivel medio
- Distancias medias-cortas



#### NEARFIELD+

-3dB medias frecuencias (200Hz-3kHz)

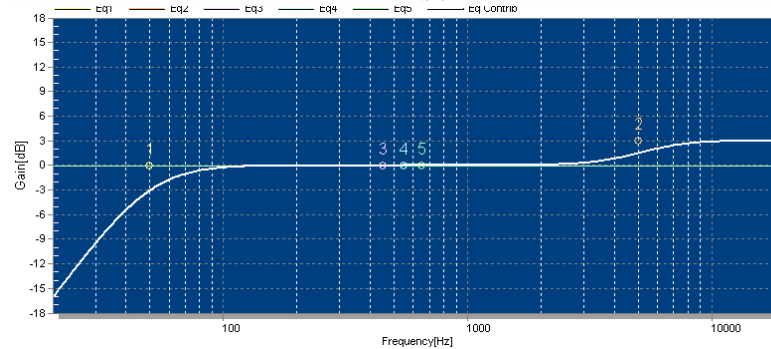
- Recintos pequeños
- Nivel medio
- Distancias cortas



#### LONGTHROW

+3dB altas frecuencias

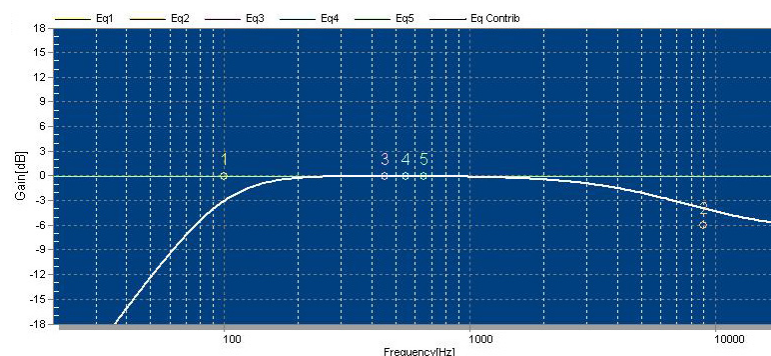
- Recintos grandes
- Nivel alto
- Distancias medias-largas



#### SPEECH

-6dB Low  
-6dB High

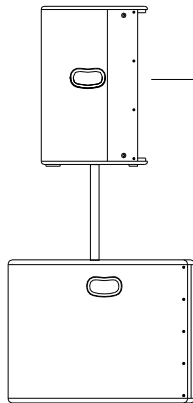
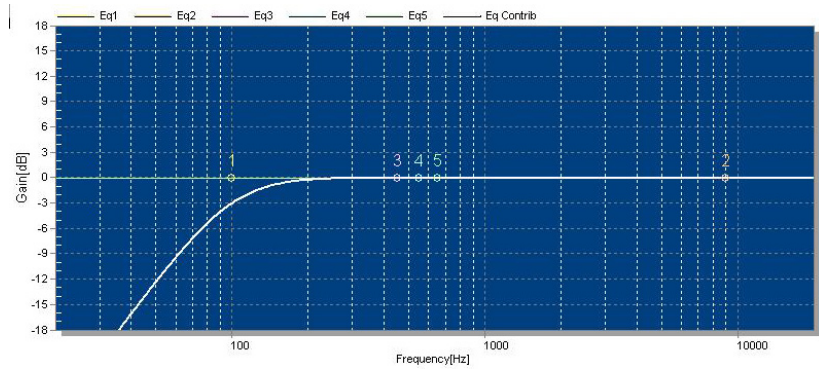
- Uso micrófono
- No importa nivel o distancia



**XO\_POLE**

HPF 100Hz +  
Delay fijo

- Uso con Joker subwoofers
- Con barra elevación



D1

D2

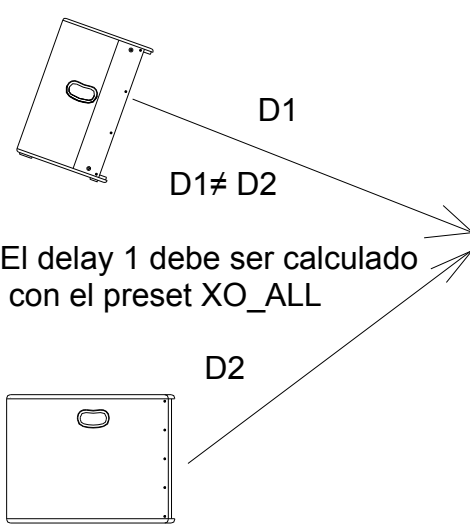
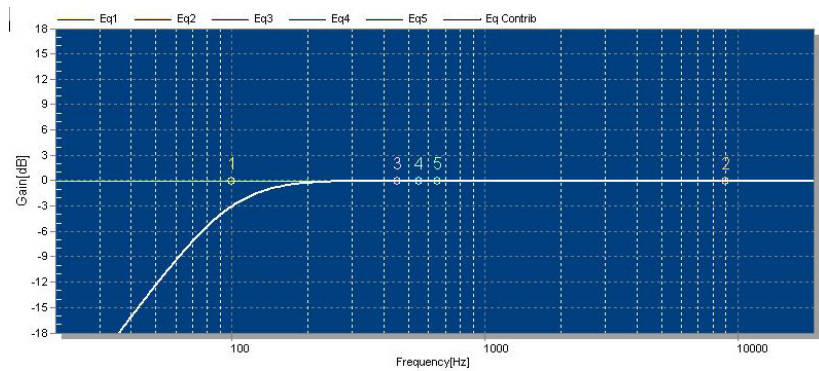
$D1 \neq D2$

Delay fijo incluido en preset  
XO\_POLE

**XO\_ALL**

HPF 100Hz +  
SIN delay

- Uso con Joker subwoofers
- Cualquier configuración
- El delay debe ser calculado por el usuario

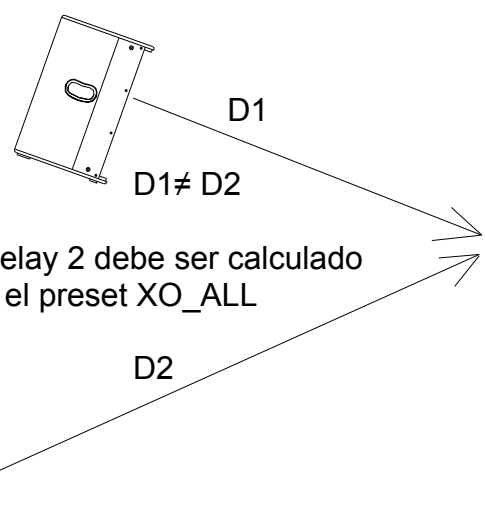


D1

$D1 \neq D2$

El delay 1 debe ser calculado  
con el preset XO\_ALL

D2



D1

$D1 \neq D2$

El delay 2 debe ser calculado  
con el preset XO\_ALL

D2



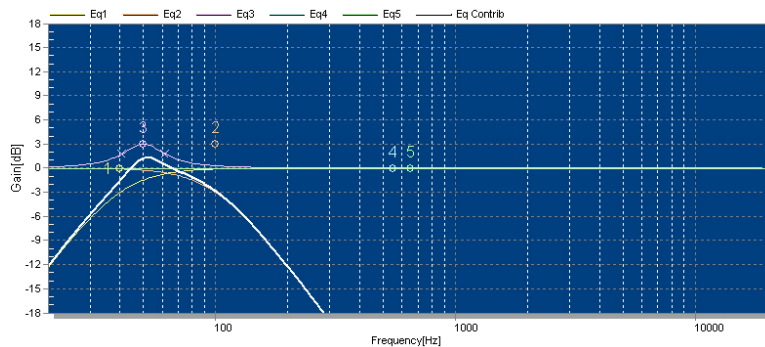
## 1.4 Presets en subwoofers

Las subwoofers de la serie Joker incluyen varios presets de fábrica, útiles para diferentes tipos de aplicación.

### XO POLE

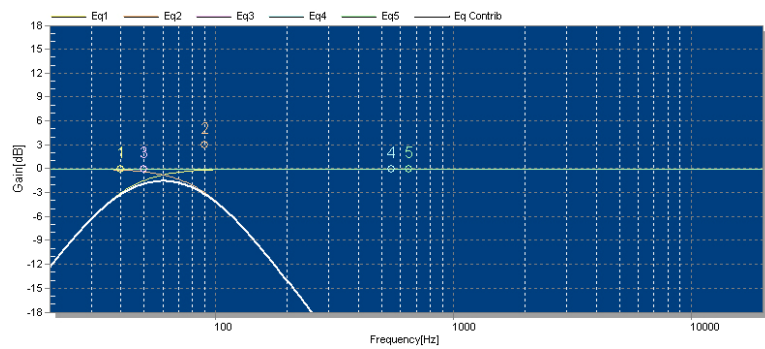
LPF 100Hz +  
+3dB Boost

- Uso con cajas Joker full-range
- Con barra elevación



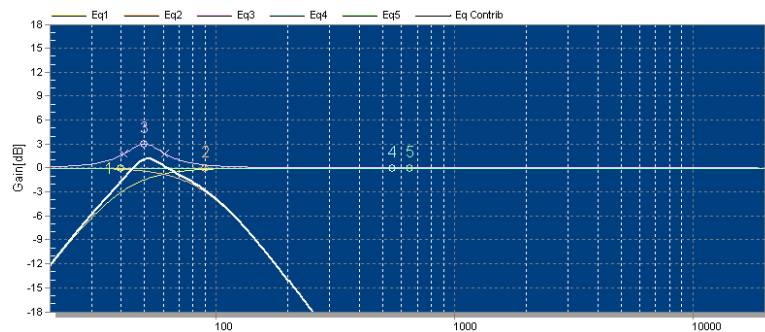
### LPF90

LPF 90Hz



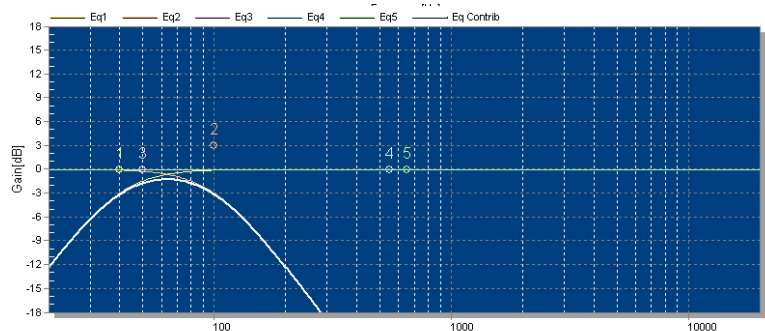
### LPF90+3

LPF 90Hz  
+3dB Boost



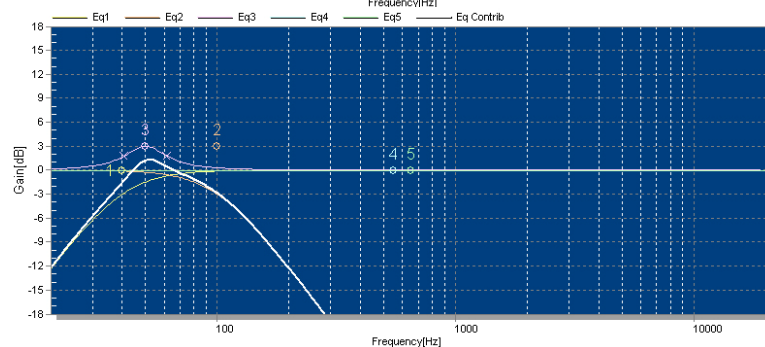
### LPF100

LPF 100Hz



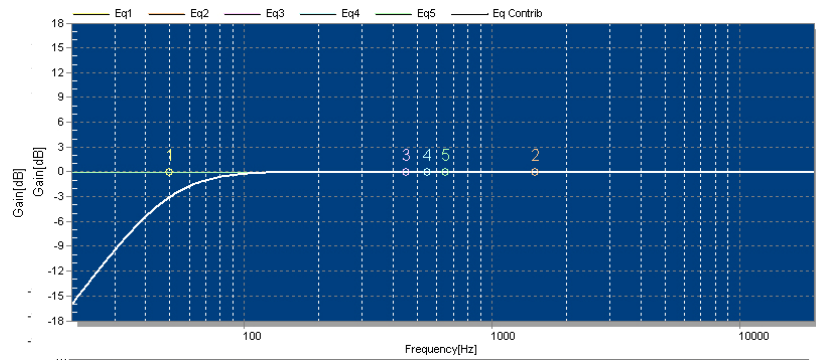
### LPF100+3

LPF 100Hz  
+3dB Boost



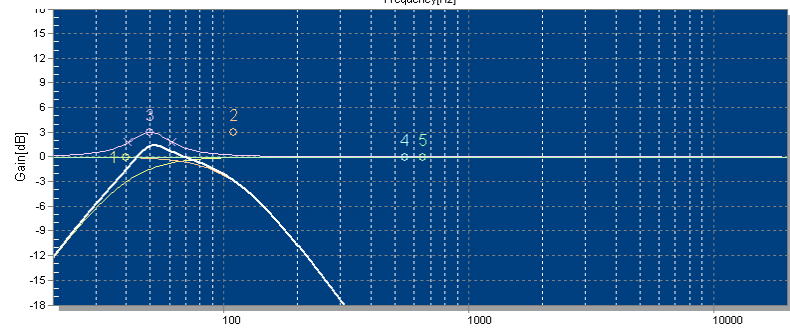
### LPF110

LPF 110Hz



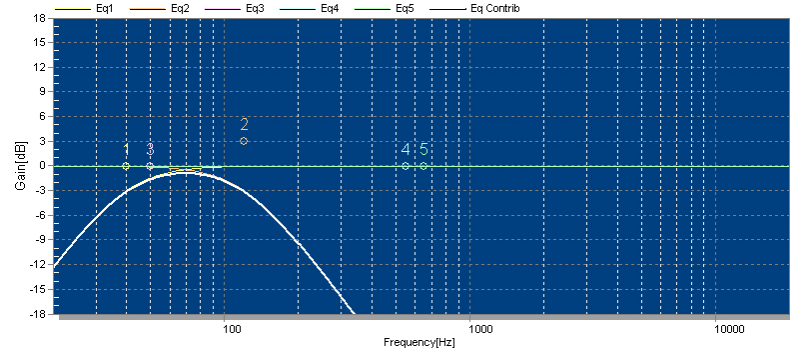
### LPF110+3

LPF 110Hz  
+3dB Boost



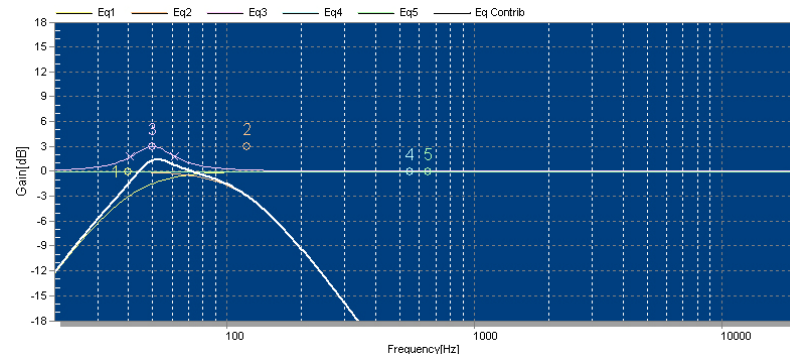
### LPF120

LPF 120Hz



### LPF120+3

LPF 120Hz  
+3dB Boost



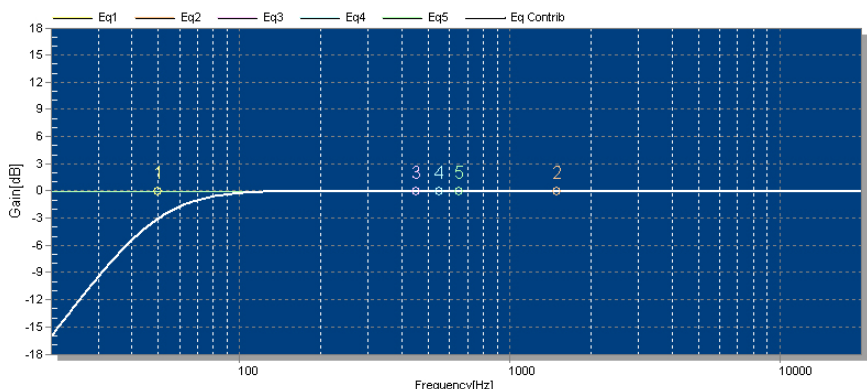
## 1.5. Presets en JK10MA

La JK10MA de la serie Joker incluye varios presets de fábrica, útiles para diferentes tipos de aplicación.

### FLAT

Respuesta plana

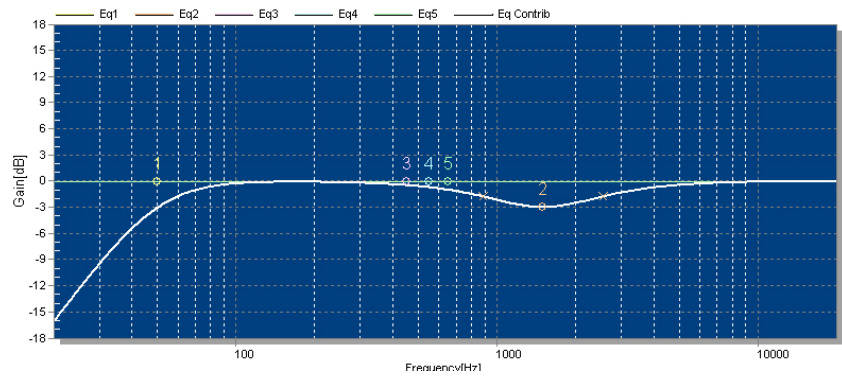
- Uso en trípode



### NEARFIELD

-3dB medias frecuencias

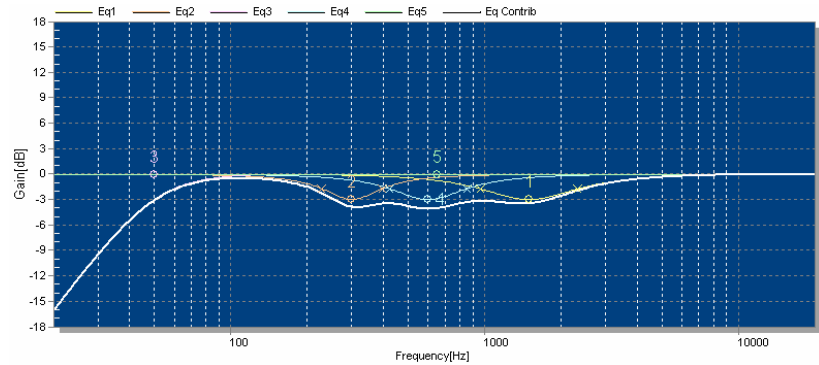
- Recintos pequeños
- Nivel medio
- Distancias medias-cortas



### NEARFIELD+

-3dB medias frecuencias (200Hz-3kHz)

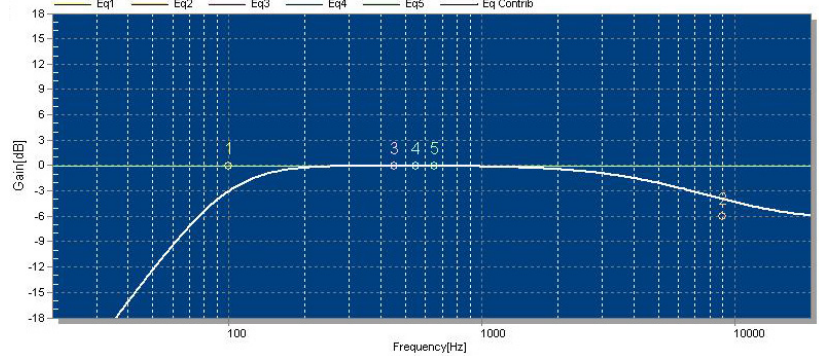
- Recintos pequeños
- Nivel medio
- Distancias cortas



### SPEECH

-6dB Low  
-6dB High

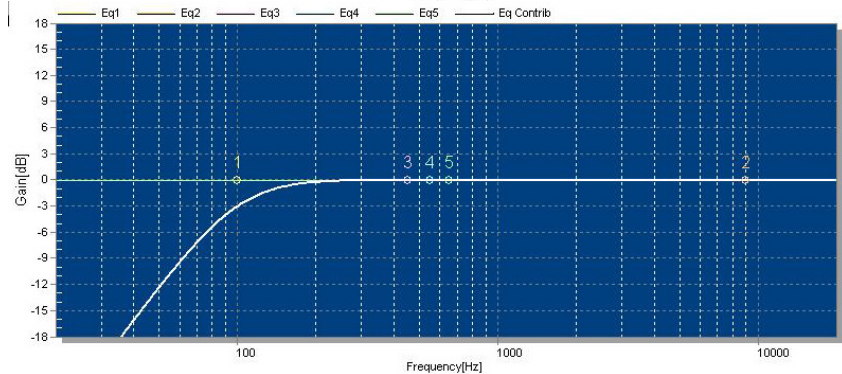
- Uso micrófono / palabra
- No importa nivel o distancia



### MONITOR

Respuesta plana

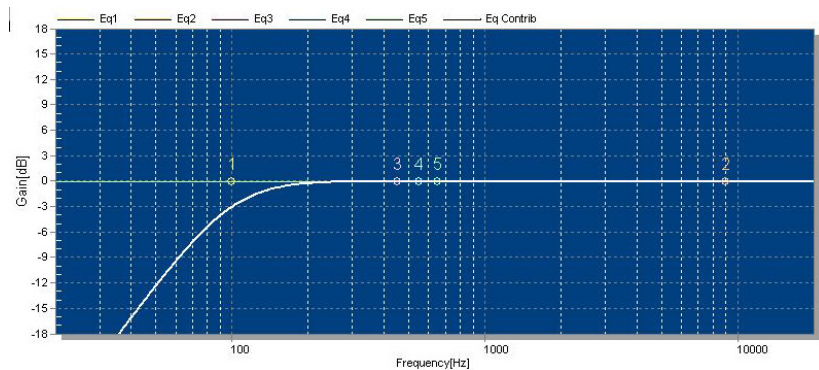
- Uso en suelo como monitor

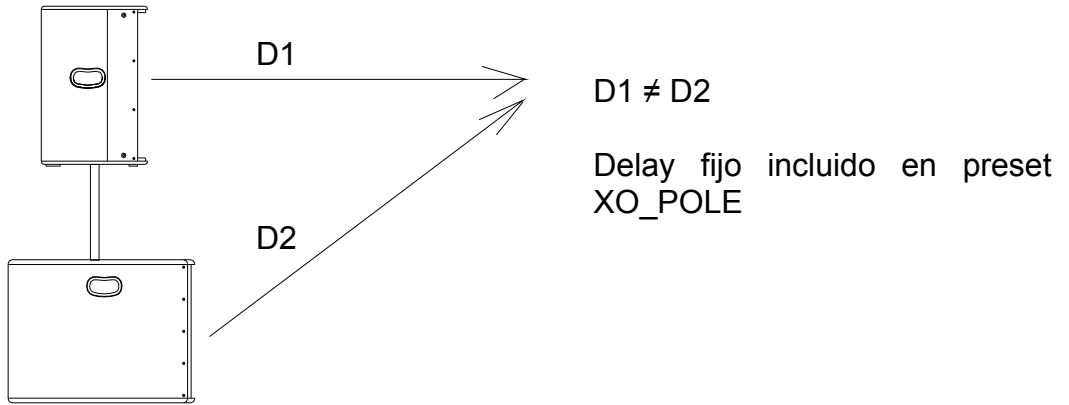


### XO POLE

HPF 100Hz + Delay fijo

- Uso con Joker subwoofers
- Con barra elevación

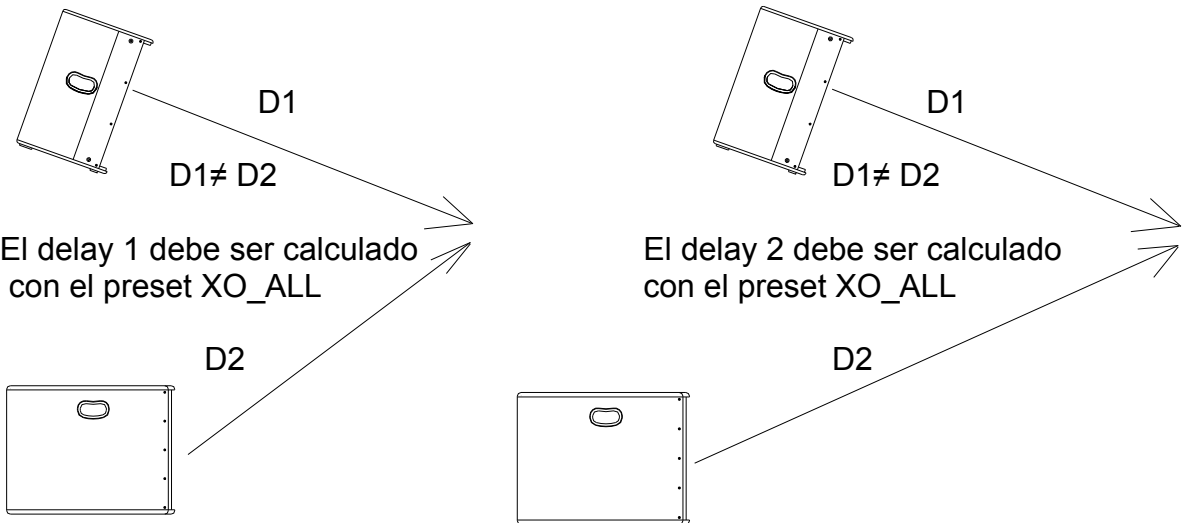
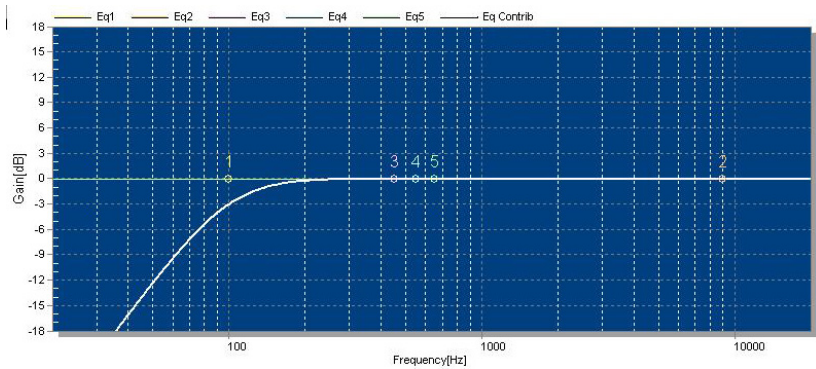




**XO ALL**

HPF 100Hz + SIN delay

- Uso con Joker subwoofers
- Cualquier configuración
- El delay debe ser calculado por el usuario



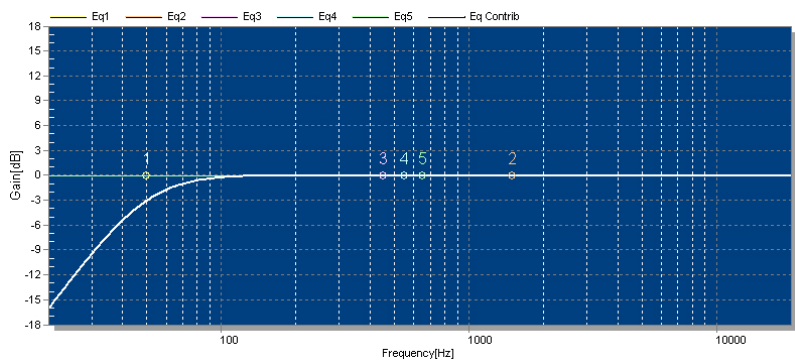
**1.6. Presets en monitor escenario JK12MA**

El JK12MA de la serie Joker incluye varios presets de fábrica, útiles para diferentes tipos de aplicación.

**MONITOR**

Respuesta plana

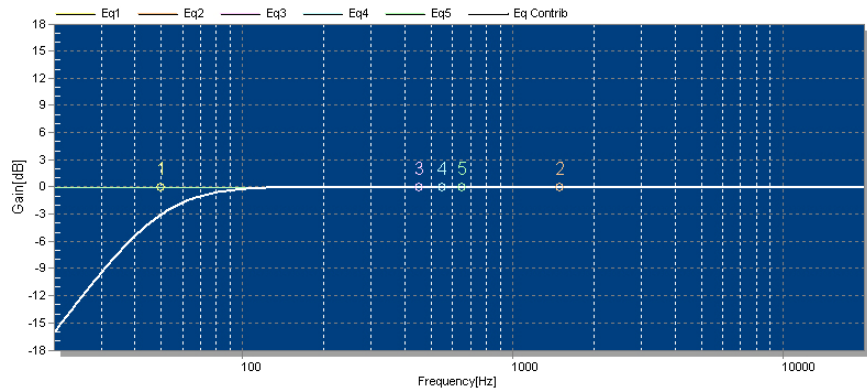
- Uso en suelo como monitor



### FULL RANGE

Respuesta plana

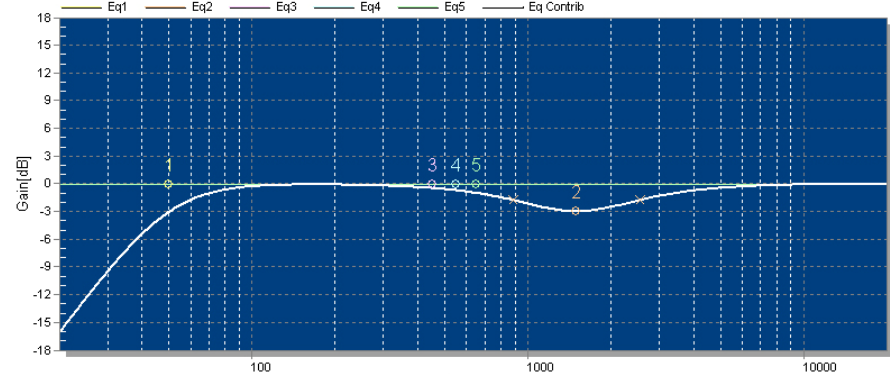
- Uso en trípode



### NEARFIELD

-3dB medias frecuencias

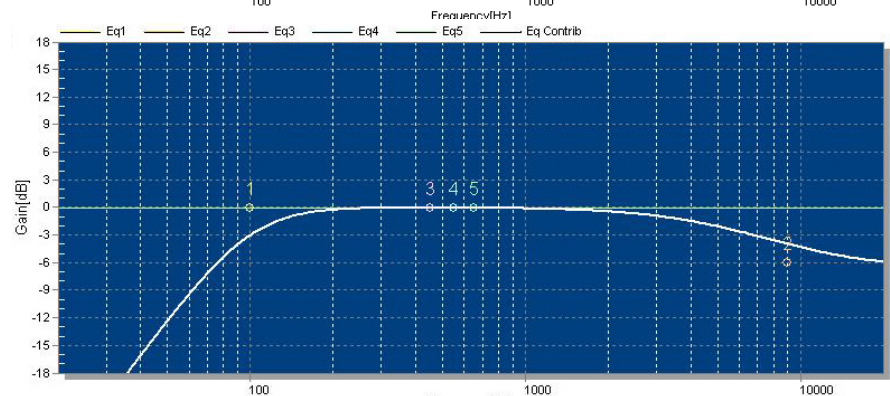
- Recintos pequeños
- Nivel medio
- Distancias medias-cortas



### SPEECH

-6dB Low  
-6dB High

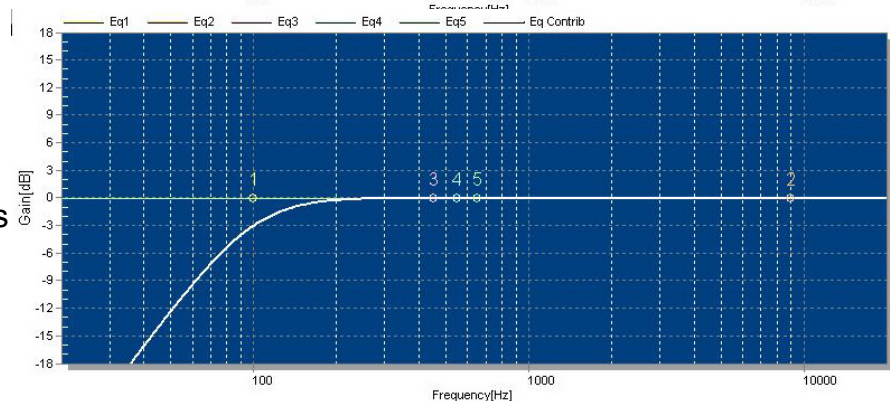
- Uso micrófono / palabra
- No importa nivel o distancia



### XOVER

HPF 100Hz

- Uso con subwoofers
- Joker



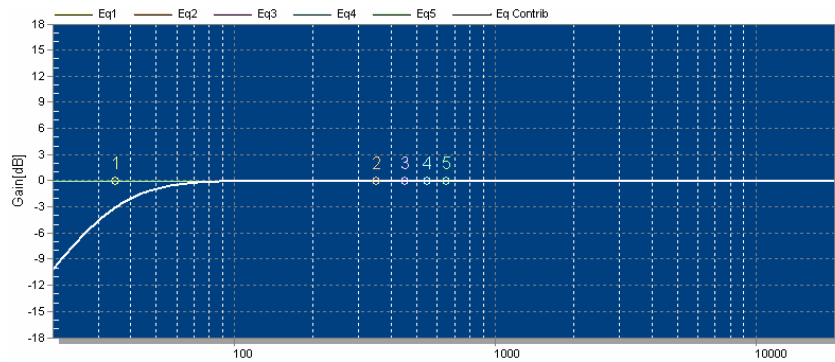
### 1.7. Presets en JK318A

La JK318A de la serie Joker incluye varios presets de fábrica, útiles para diferentes tipos de aplicación.

### FLAT

Respuesta plana

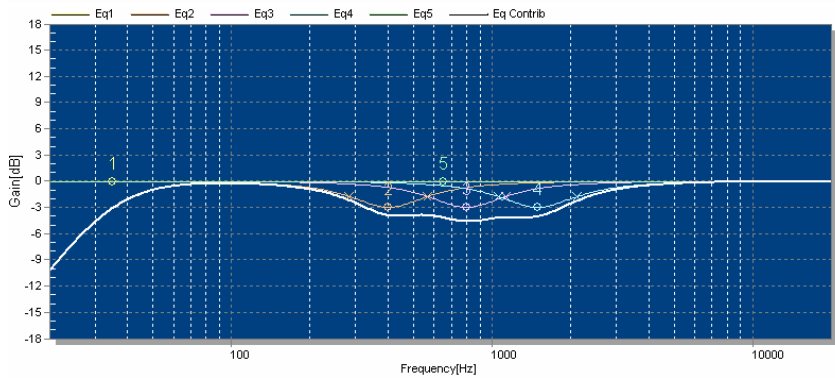
- Preset estándar



### NEARFIELD

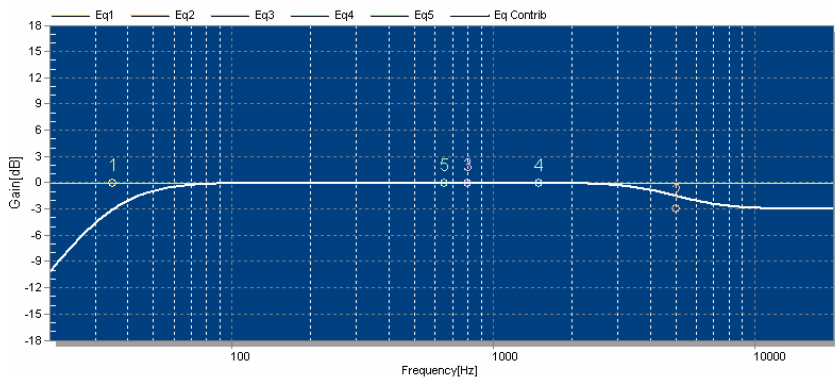
-3dB medias frecuencias (200Hz-3kHz)

- Recintos pequeños
- Nivel medio
- Distancias medias-cortas



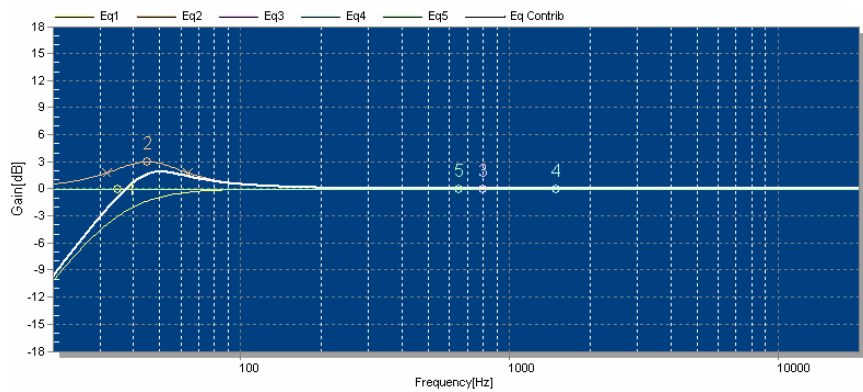
### HF-3dB

-3dB altas frecuencias



### LFBOOST

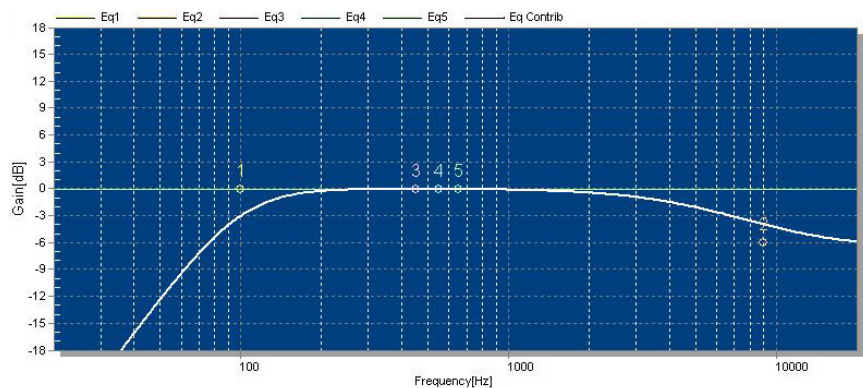
+3dB boost low a 45Hz



### SPEECH

-6dB Low  
-6dB High

- Uso micrófono / palabra
- No importa nivel o distancia



## 2. CONEXIONES

### 2.1. Vista general

Las conexiones de audio y de alimentación están situadas en el exclusivo panel de conexiones Joker, representado en la Fig.1. Las diferentes partes de la que se compone este panel se detallan a continuación

#### Panel de Control

**A) LCD:** Muestra información básica sobre el estado del sistema y del DSP. La información disponible es a siguiente:

En sistemas FULL-RANGE:

- Preset actual
- Nivel de señal de entrada
- Nivel de salida del amplificador de frecuencias bajas (LF)
- Nivel de salida del amplificador de frecuencias altas(HF)
- Temperatura del amplificador
- Modo ECO activado/desactivado
- Teclado bloqueado/activo

Para sistemas SUBWOOFER

- Preset actual
- Nivel de señal de entrada
- Nivel de salida del amplificador
- Temperatura del amplificador
- Modo ECO activado/desactivado
- Polaridad positiva (+) / negativa (-)
- Teclado bloqueado/activo

**B) TECLADO:** Permite al usuario realizar cambios en el DSP (selección de Preset, ajuste de delay) así como configurar las preferencias de usuario. Para entrar en el menú el teclado debe estar desbloqueado mediante la pulsación simultánea de las teclas MENU y SELECT

**C) CONTROL DE VOLUMEN:** Mediante las teclas de flecha Arriba y Abajo es posible ajustar el volumen del sistema entre 0dB y -20dB. Si se alcanza el valor de -20dB y se pulsa otra vez la flecha Abajo, el sistema se silenciará (MUTE). Para salir del estado de MUTE, volver a pulsar la flecha Arriba,

**D) LED DE PROTECCIÓN:** Este led se ilumina cuando el amplificador entre en una situación de protección (por exceso de temperatura, exceso de consumo de corriente, u otras situaciones que comprometan la integridad del módulo).

El led también se ilumina cuando el amplificador se encuentra en modo de reposo (STANDBY). Esto ocurre también durante unos segundos en la puesta en marcha.

El led de protección se apagará cuando el amplificador se recupera de una situación anormal. Si este led se mantiene encendido incluso después de reiniciar el sistema, póngase en contacto con un servicio autorizado.

**E) INDICADORES DE LIMITADOR:** Los leds en la sección del limitador indican que el amplificador está alcanzando la máxima potencia determinada por el circuito limitador. El limitador del sistema evita que el altavoz reciba un exceso de potencia o señal distorsionada. La iluminación continuada de estos indicadores indica que la señal está siendo comprimida excesivamente. En este caso, se debe reducir el nivel de entrada para obtener un rango dinámico apropiado

### Modelo y Especificaciones

**F) DATOS DEL MODELO:** La información básica sobre el modelo se detalla aquí:

- Referencia
- Potencia nominal del amplificador (Watts)
- Nivel máximo de presión sonora entregada por el sistema (dB SPL)

**G) CÓDIGO QR CODE:** Para obtener información detallada sobre las especificaciones del sistema, se dispone de un código QR en el panel.

Para leer el código QR se necesita un dispositivo móvil con cámara, una aplicación de lectura de códigos QR (\*) y una conexión a Internet. Al escanear el código QR, el navegador web del dispositivo será redirigido a la página del producto de la web de Master Audio, donde se encuentra toda la información relacionada al producto.

(\*)Las aplicaciones de lectura de códigos QR están disponibles de manera gratuita para las plataformas de smartphones más habituales: iPhone/iPad (App Store), Android Marketplace, Blackberry AppWorld y Bada App Market.

### Panel de conexión

**H) ENTRADA DE AC:** Entrada de alimentación de corriente, vía PowerCon (conector azul)



Utilice siempre el cable de alimentación suministrado por el fabricante.  
Nunca conecte los sistemas Joker a una alimentación no provista de toma de tierra o usando un cable sin conexión de tierra

### I) ENTRADA/SALIDA BALANCEADA:

Conector XLR-3 Hembra para la entrada de señal de audio balanceada.

Conector XLR-3 Macho para el conexionado en paralelo de varios sistemas con la misma señal de audio.

**IMPORTANTE:** Utilice siempre cable balanceado de micrófono con el siguiente conexionado:

1= Malla (Shield) 2= Vivo (+) 3= Retorno (-)



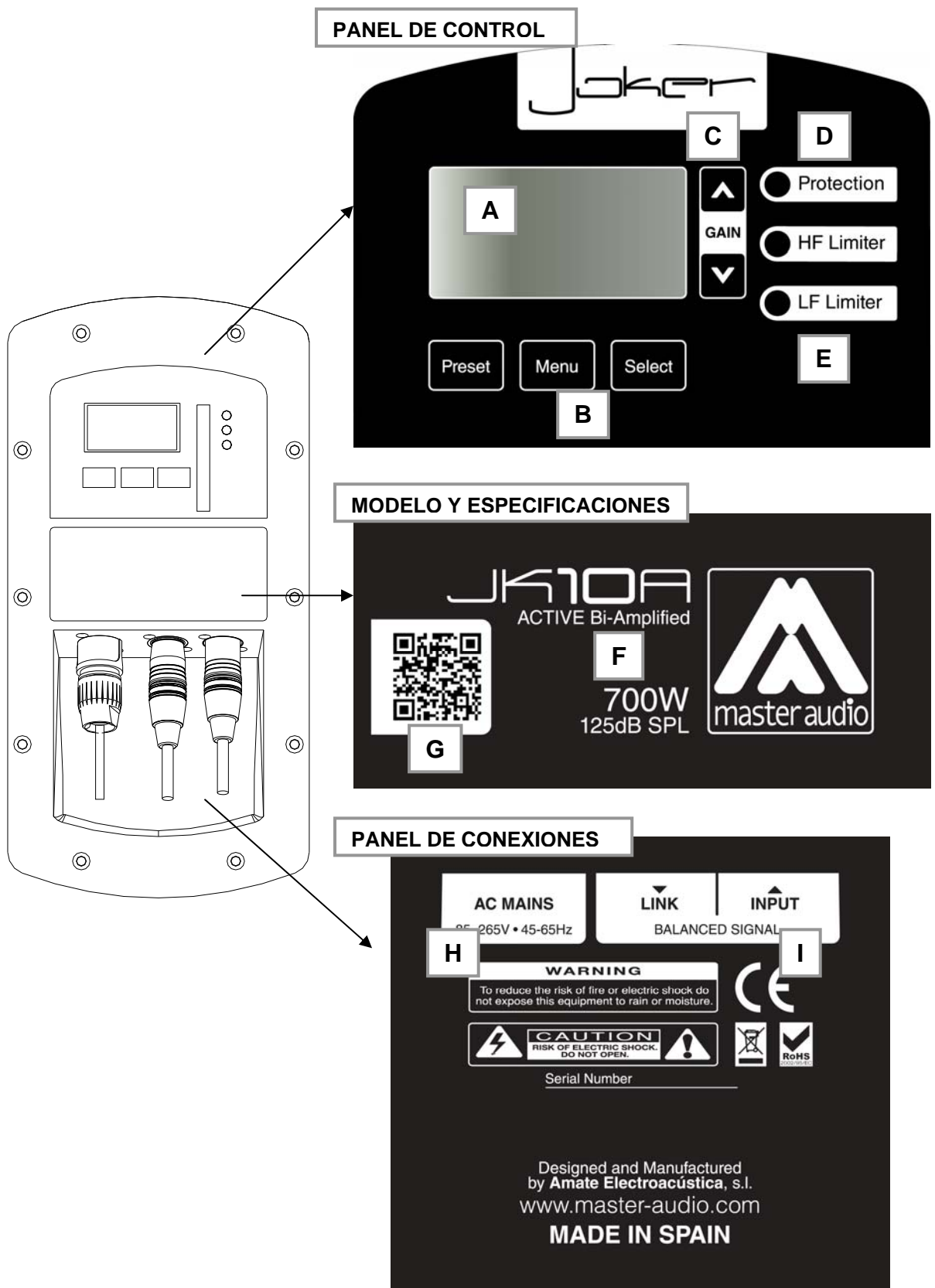


Fig.1. Panel de control y de conexiones Joker

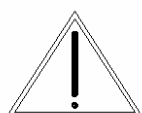
## 2.2. Configuraciones

### 2.2.1. Conexión paralelo

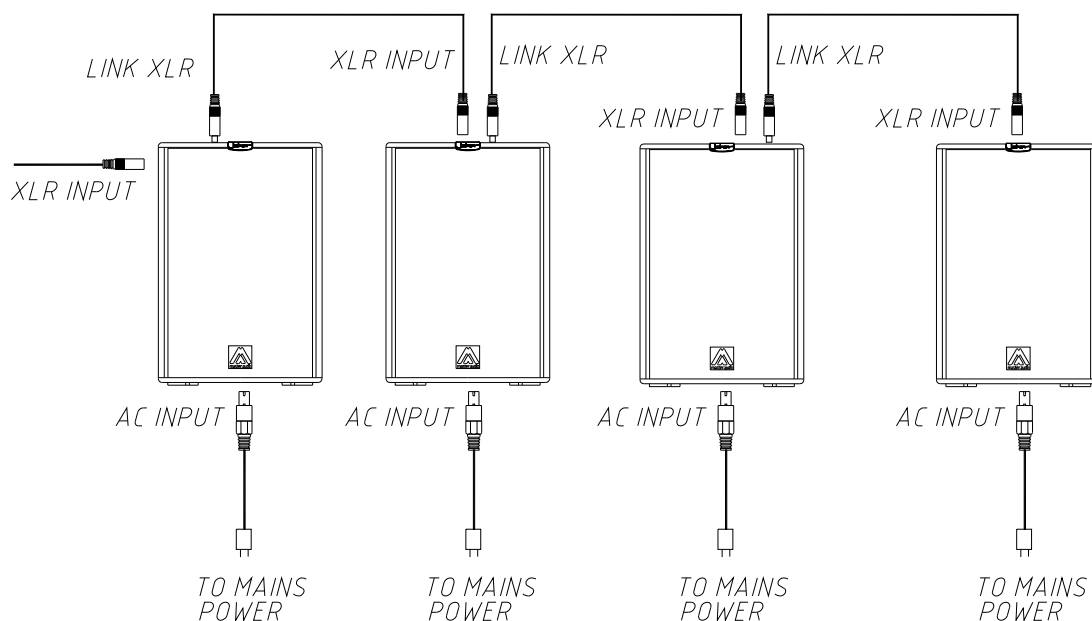
Conecte la señal (salida de mesa de mezclas) a la entrada INPUT de la primera unidad. Usar la salida LINK (primera unidad) para transportar la señal a la entrada INPUT de la segunda unidad y así sucesivamente. Todas las unidades en la cadena tienen que estar encendidas.

**ATENCIÓN:** Conexiones de Señal NO-BaLanceadas deben desconsiderarse.

Para la conexión de red use cable con conector azul Neutrik PowerCon NAC3FCA.



No conecte recintos de la serie Joker usando cable PowerCon sin toma de tierra.



**Fig.2.** Conexión en paralelo

### 2.2.2. Conexión combinada Sistemas Full-Range con Subwoofer en paralelo

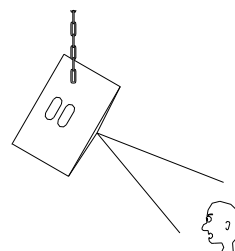
Es posible conectar en paralelo sistemas full-range con su respectivo refuerzo de graves. Para ello se procederá de la misma forma descrita en la Fig.2, tanto para las señales de audio como para la red eléctrica. El orden no es preceptivo ya que todas las entradas y links de señal son iguales.

## 3. MONTAJE E INSTALACIÓN

Para la adecuada instalación de los sistemas de cajas acústicas se recomienda lea atentamente los siguientes consejos.

### 3.1. Posicionamiento

Coloque las unidades "Full Range" siempre que sea posible en posición elevada (entre dos y tres metros del suelo), ligeramente inclinadas hacia la audiencia. Si las cajas se colocan a una altura cercana al suelo los oyentes de las últimas filas recibirán un sonido de baja calidad.



**Fig.3.** Posicionamiento en formato volado

Para posicionar las unidades de graves, es recomendable que éstas sean colocadas en el mismo suelo, ya que así se aprovecha, de forma natural, el llamado "efecto-suelo" incrementando notoriamente la respuesta en bajas frecuencias. Le aconsejamos coloque, siempre que sea posible, las unidades de graves bajo el mismo eje acústico de dónde estén ubicados los satélites. Si esto no es posible deberían situarse en un punto intermedio entre los canales Izquierdo y Derecho.

### 3.2. Uso con trípode

Los modelos JK26A, JK10A, JK12A, JK15A, JK10MA y JK12MA incorporan en su parte inferior un vaso para trípode Standard de 35mm.

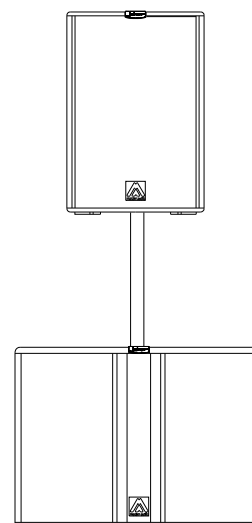
No utilice el trípode en superficies con pendiente ni coloque la caja demasiado alta, pues el sistema puede ser totalmente inestable.



**Fig.4.** Posicionamiento con trípode

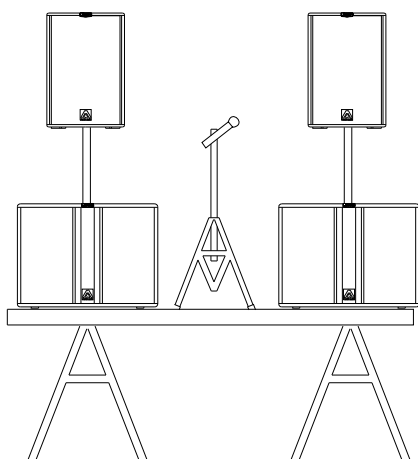
### 3.3. Utilización sobre subwoofer

Los modelos JK12WA, JK15WA, JK18WA1 y JK18WA2 incorporan integrado en su parte superior una pletina para cilindro de 35mm (diámetro de un trípode estándar). Así podemos colocar de forma elevada sistemas acústicos que vayan provistos del vaso inferior para trípode (JK26A, JK10A, JK12A, JK15A, JK10MA, JK12MA). Evite colocar sistemas montados de esta forma en superficies inclinadas o irregulares.



**Fig.5.** Posicionamiento sobre subwoofer

### 3.4. Uso en aplicaciones de Directo (móvil)



Para una aplicación móvil, para Directo o Discoteca, la ubicación clásica sería la de situar las unidades de graves (una ó dos por canal) a cada lado del escenario (sobre éste).

**Fig.6.** Aplicaciones de directo

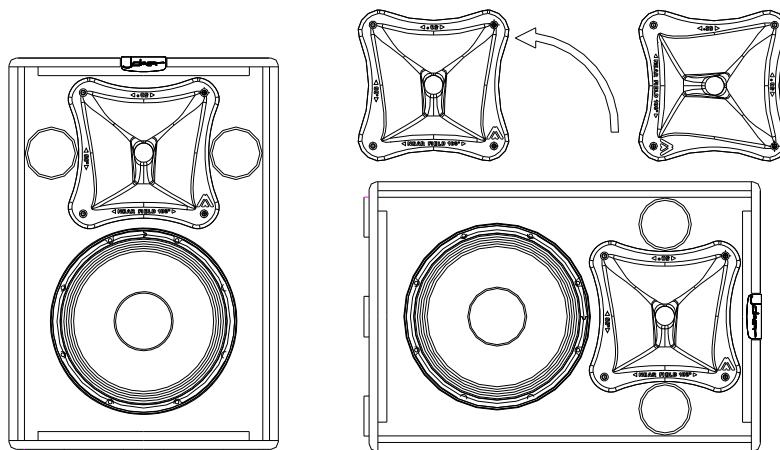
Para conseguir una reproducción libre de obstáculos, se recomienda coloque las unidades de Medios-Agudos por encima de las unidades de graves a unos dos metros de altura. Si no se dispone de esta altura es conveniente utilizar el clásico trípode para cada caja y dejar las cajas de graves en el suelo.

**¡ATENCIÓN!!!** En recintos con problemas de acústica y en los que es necesario reforzar la respuesta en bajas frecuencias es recomendable agrupar todos los subwoofers en un mismo punto. De esta manera evitaremos cancelaciones y obtendremos un nivel de presión acústica mucho más elevado.

### 3.5. Difusores asimétricos y giratorios

Los modelos JK10A, JK12A, JK15A y JK318A incorporan difusor de dispersión asimétrica que permite optimizar la cobertura tanto en posición horizontal como en vertical.

Para girar el difusor se debe desmontar primero la reja frontal, destornillar el difusor por sus cuatro puntos de fijación y girarlo 90 grados teniendo cuidado de no desconectar los cables. Volver a atornillarlo y colocar de nuevo la reja.



**Fig.7.** Rotación de difusor

En una sonorización normalmente se intentará establecer un compromiso entre las zonas a cubrir. Interesará:

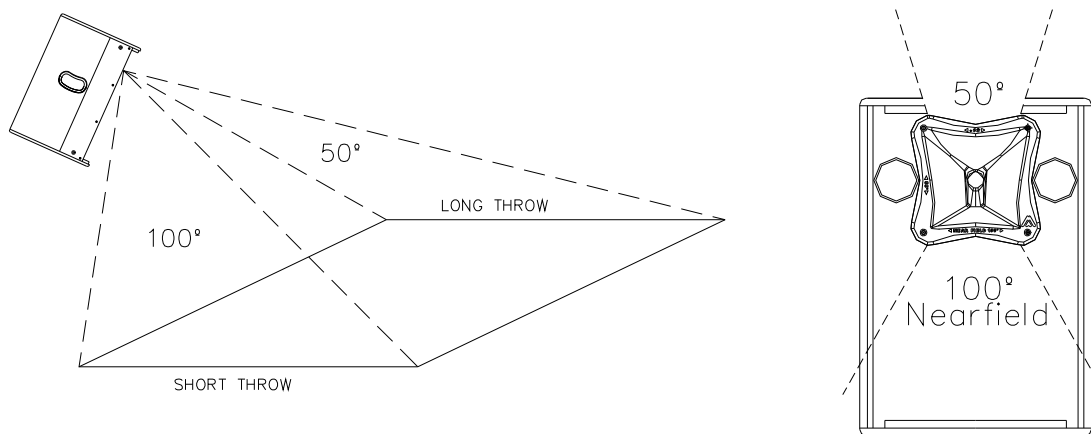
- \*cobertura amplia para los oyentes más cercanos (short throw)
- \*cobertura más estrecha para los oyentes más alejados (long throw)

Los difusores con dispersión asimétrica varían su cobertura horizontal, "simulando" un barrido desde el "short throw" al "long throw" a lo largo del eje vertical (que mantiene la directividad constante). En resumen, las características de directividad de nuestros difusores (50° a 100° (H), 55° (V)), pueden interpretarse de la siguiente manera: existen dos directividades en el plano horizontal (cobertura de la audiencia) que varían en función de la distancia. Normalmente, a menor distancia consideraremos como óptimo el ángulo más abierto (100°) mientras que para distancias grandes, el ángulo apropiado será el de 50°.

Entenderemos mejor la teoría con unos ejemplos prácticos.

### 3.5.1. Cajas colgadas verticalmente y enfocando al público.

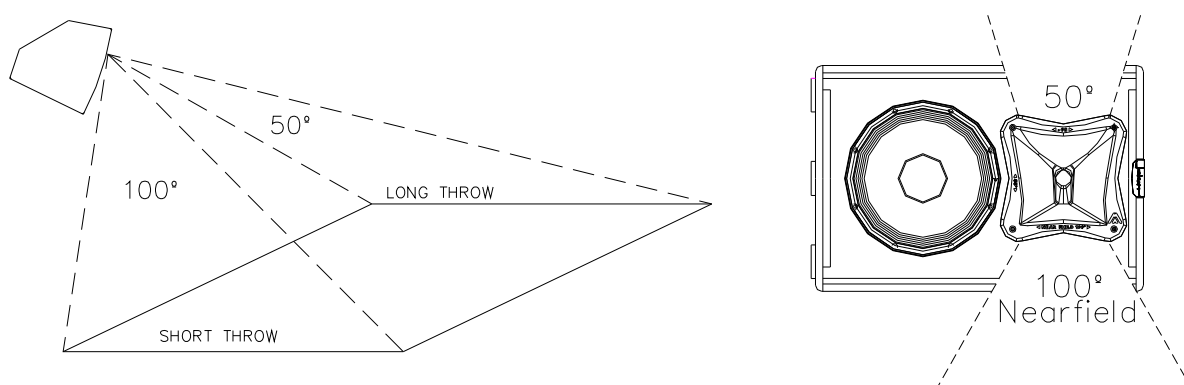
Nos interesa mantener una cobertura máxima (100°) en campo cercano y una cobertura más estrecha pero direccional (50°) en campo lejano.



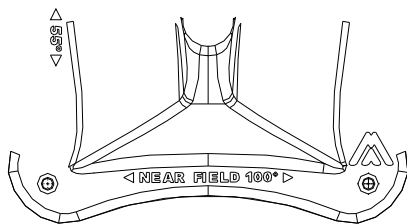
**Fig.8.** Posición vertical

### 3.5.2. Cajas colgadas horizontalmente y enfocando al público.

Nos interesa mantener una cobertura máxima (100°) en campo cercano y una cobertura más estrecha pero direccional (50°) en campo lejano.



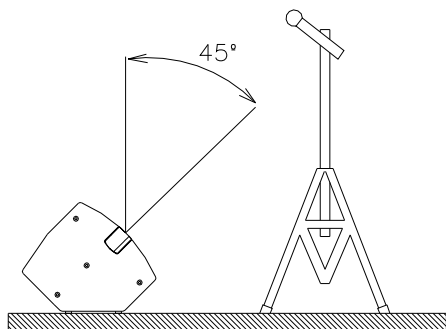
**Fig.9.** Posición horizontal



**ATENCIÓN:** Los difusores llevan impreso el logotipo "Near Field" en el lado donde consideramos ángulo de cobertura horizontal máximo (100°).

**Fig.10.** Logotipo "Near Field"

### 3.6. Uso como monitor de escenario



LA JK10MA puede utilizarse como monitor de escenario sin ningún accesorio extra.

**Fig.11.** Stage monitor use

### 3.7. Giro del logotipo "Master Audio"

Los logotipos "Master Audio" de los modelos JK26A, JK10A, JK12A, JK15A, JK10MA y JK318A pueden girarse para adaptarse a la posición de la caja (horizontal o vertical).

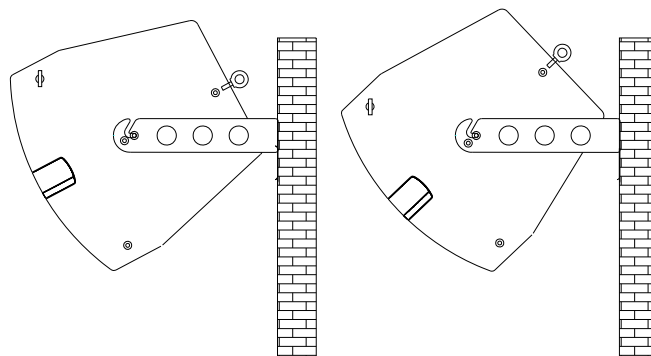
### 3.8. Volado

Sólo personal especializado debe realizar el volado de sistemas acústicos. Asegúrese del peso que es capaz de soportar la estructura sobre la cual se va a colgar la caja. El hardware de volado (cadenas, pasadores, anillas...) debe ser revisado regularmente y, en caso de cualquier duda, debe ser reemplazado por material nuevo.

**¡ATENCIÓN! ¡NO COLGAR NUNCA LAS CAJAS POR EL ASA!!!!**

#### 3.8.1. Volado horizontal JK26A, JK10A, JK12A, JK15A, JK10MA, JK12MA mediante accesorio "U" bracket

La JK26A puede colgarse horizontalmente en pared o techo mediante el accesorio SP26, la JK10A y JK10MA mediante el accesorio SP10, la JK12A y JK12MA mediante el accesorio SP12 y la JK15A mediante el accesorio SP15.



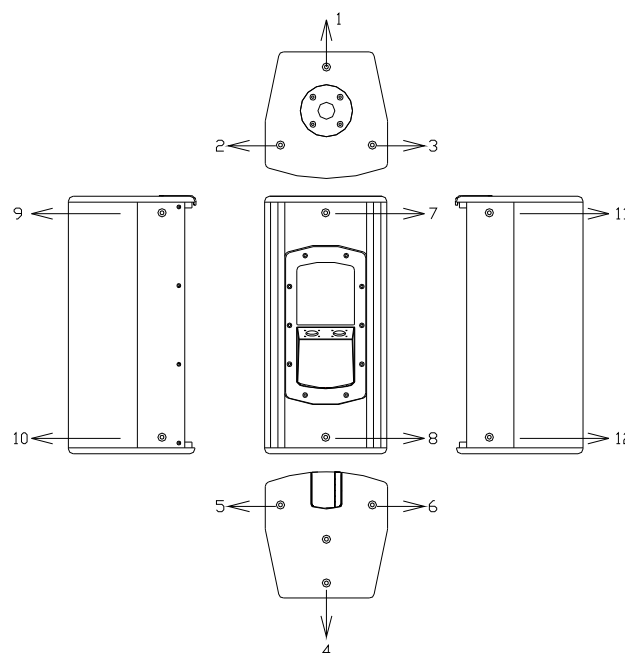
**Fig.12.** Soporte de pared

**Colgado:**

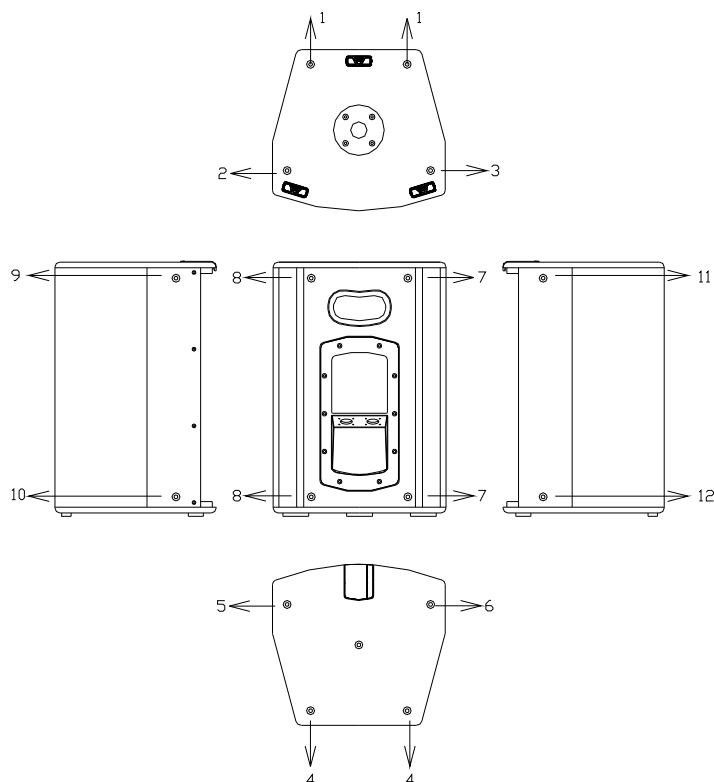
- 1- Sitúe el soporte cerca de la pared donde vaya a colgar la caja y marque la localización de los puntos de soporte
- 2- Realice los taladros en la pared y cuelgue el soporte con tornillería adecuada y de alta resistencia.
- 3- Cambie el soporte inferior para trípode de 35mm de la caja por la pletina ciega con rosca de M8 (en JK26A/JK10A/JK12A/JK15A).
- 4- Coloque la caja entre el soporte y fíjela con los dos pomos de M8
- 5- Ajuste la caja a la posición y ángulo deseado.

**3.8.2. Volado horizontal o vertical de la JK26A, JK10A, JK12A, JK15A, JK10MA, JK12MA y JK318A mediante anillas ACR-M8 y cadena**

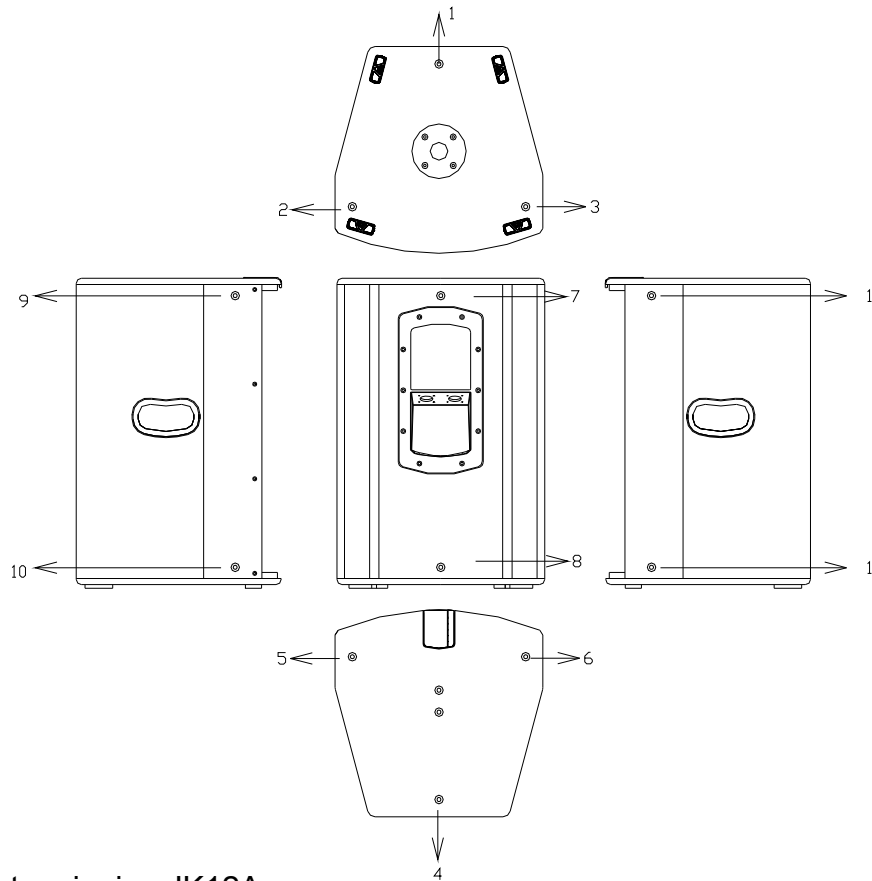
Estos modelos incorporan varios puntos de suspensión M8. Su correcta combinación permite el volado de las cajas tanto en posición horizontal como en vertical.



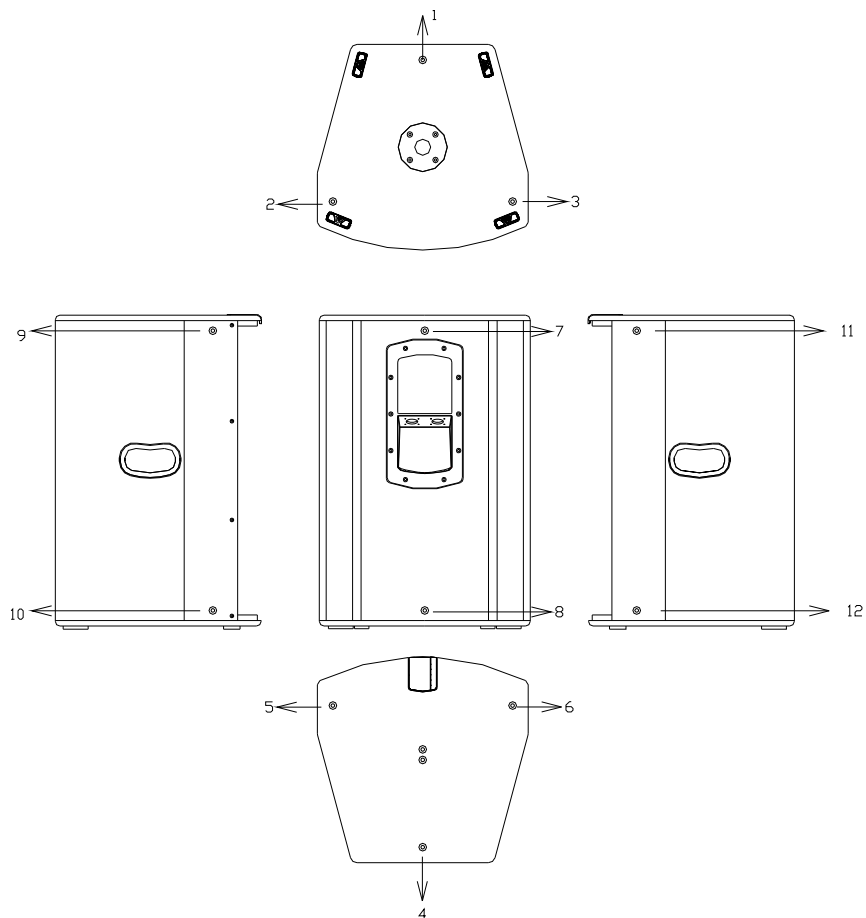
**Fig.13.** Puntos rigging JK26A



**Fig.14.** Puntos rigging JK10A

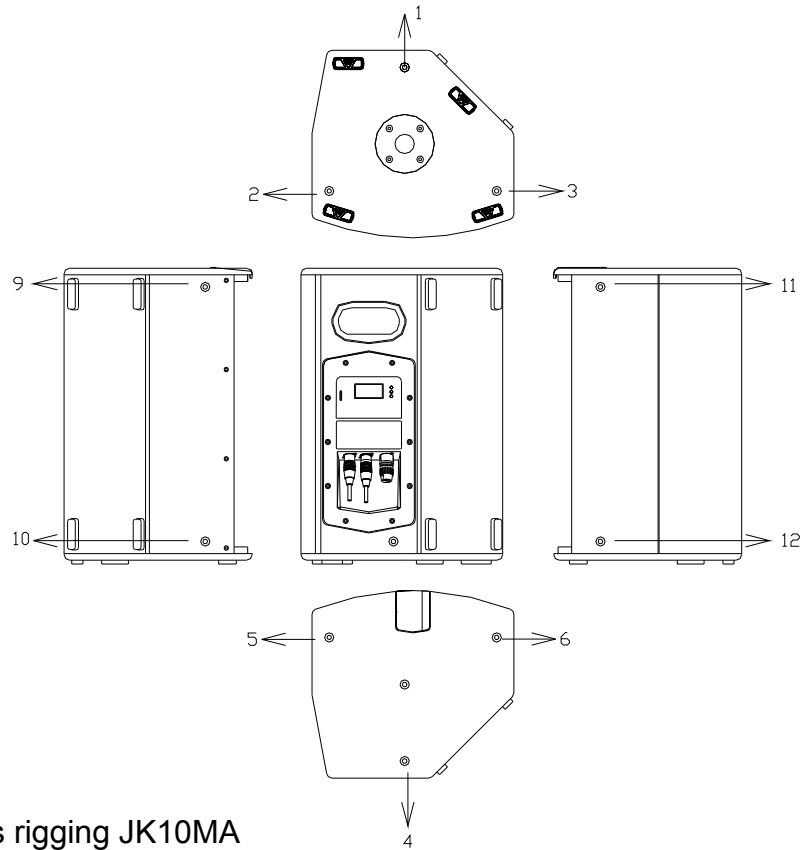


**Fig.15.** Puntos rigging JK12A



**Fig.16.** Puntos rigging JK15A

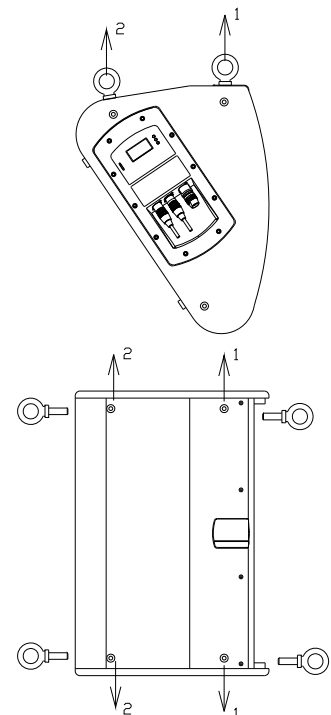




**Fig.17.** Puntos rigging JK10MA

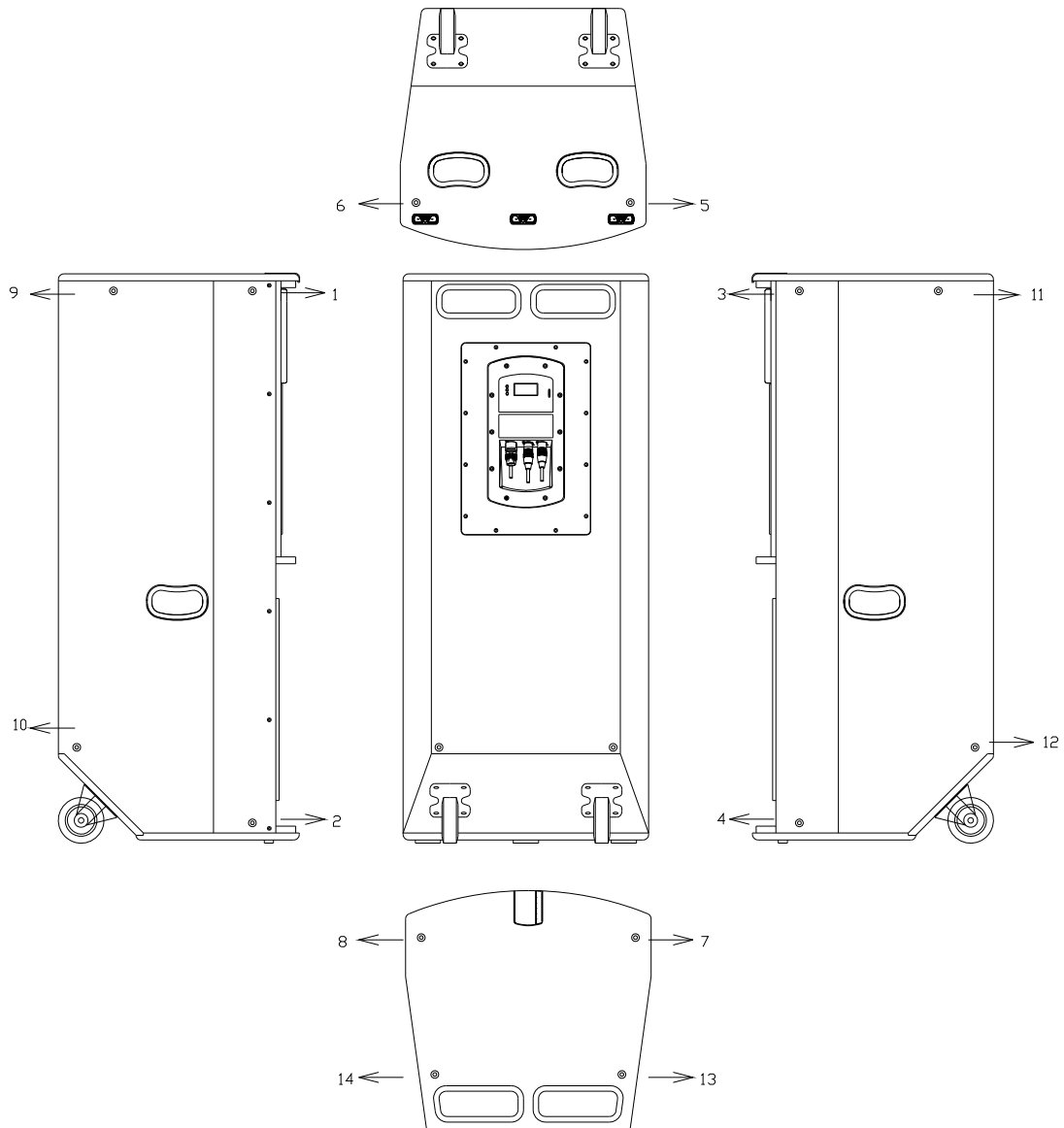
	JK26A	JK10A	JK10MA	JK12A	JK15A
<b>Volado horizontal</b>	2&5 o 3&6 o 9&10 o 11&12 (puntos volado frontales) 1&4 o 7&8 (puntos traseros para angular)				
<b>Volado vertical</b>	2&3 o 5&6 o 9&11 o 10&12 (puntos volado frontales) 1 o 4 o 7 o 8 (puntos traseros para angular)				

	JK12MA
<b>Volado vertical</b>	1 (puntos volado frontales) 2 (puntos traseros para angular)



**Fig.18.** Puntos rigging JK12MA

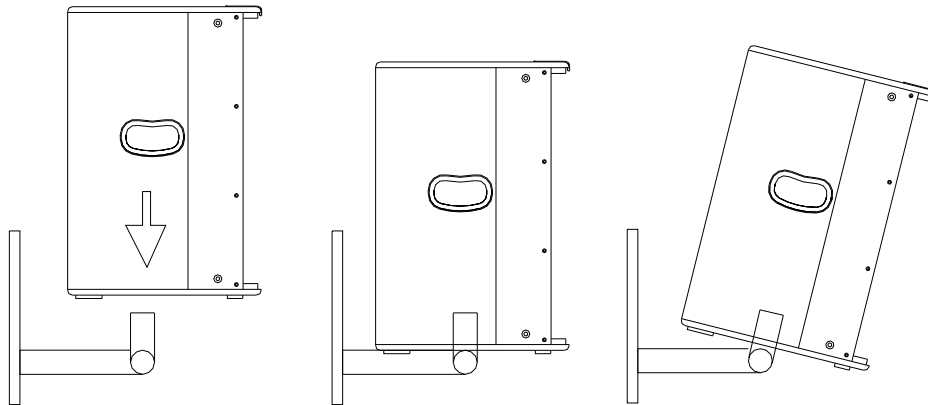
<b>JK318A</b>	
<b>Volado horizontal</b>	1&2 o 3&4 o 5&7 o 6&8 (puntos volado frontales) 9&10 o 11&12 (puntos traseros para angular)
<b>Volado vertical</b>	1&3 o 7&8 (puntos volado frontales) 9&11 o 13&14 (puntos traseros para angular)



**Fig.19.** Puntos rigging JK318A

### 3.8.3. Volado vertical de la JK26A, JK10A, JK12A, JK15A, JK10MA mediante soporte de pared SP35

Estos modelos pueden colgarse verticalmente en pared mediante el accesorio SP35. El SP35 es un soporte articulado con vaso de 35mm de diámetro.



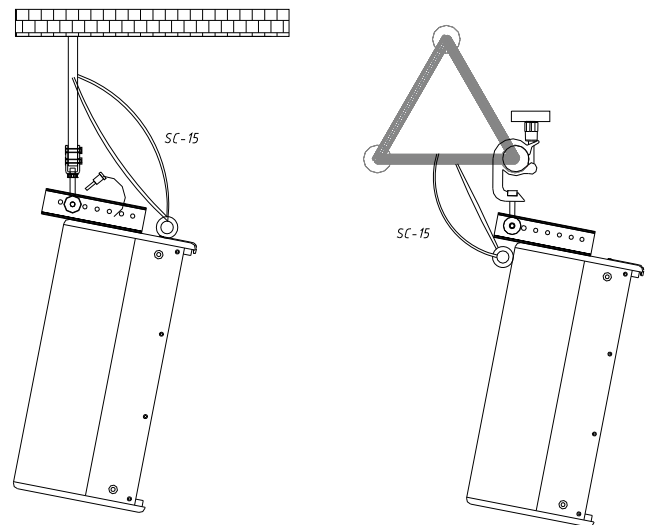
**Fig.20.** Soporte SP35

**Colgado:**

- 1- Sitúe el soporte cerca de la pared donde vaya a colgar la caja y marque la localización de los puntos de soporte
- 2- Realice los taladros en la pared y cuelgue el soporte con tornillería adecuada y de alta resistencia.
- 3- Coloque la caja en el vaso articulado y gradúe el ángulo deseado.

**3.8.4. Volado vertical de la JK26A, JK10A, JK10MA, JK12A y JK15A mediante barra “HR”**

- Use la barra HR26 para la JK26A
- Use la barra HR10 para la JK10A
- Use la barra HR1215 para la JK10MA
- Use la barra HR1215 para la JK12A
- Use la barra HR1215 para la JK15A



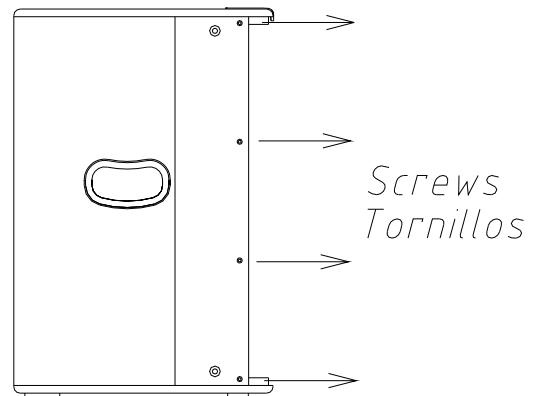
**Fig.21.** Barra de volado “HR” para cajas Joker

**3.8.5. Volado JK12WA, JK15WA, JK18WA1, JK18WA2**

Estos modelos no han sido diseñados para ser volados.

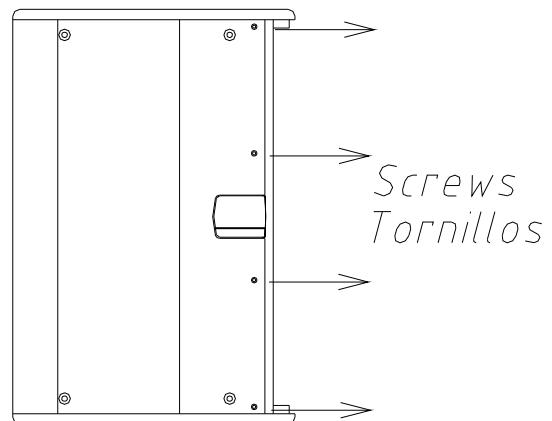
### 3.9. Montaje y desmontaje de la reja frontal

Para desmontar la reja frontal, quite primero los tornillos del lateral izquierdo. La reja saldrá más fácilmente con la ayuda de un tornillo de punta plana, haciendo palanca en unos de los costados.



**Fig.22.** Puntos collaje reja

En la JK12MA, quite primero los tornillos de la parte superior.



**Fig.23.** Puntos collaje reja JK12MA

## 4. CONFIGURACIÓN DEL SISTEMA

Gracias al sistema de microcontrolador y DSP incorporados, los recintos autoamplificados Joker pueden ser configurados para diferentes aplicaciones. Esta sección detalla cómo realizar esta configuración.

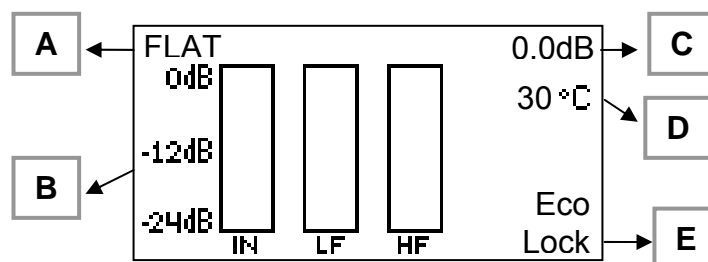
La configuración se realiza mediante la pantalla LCD y el teclado en el panel posterior del equipo

I

**IMPORTANTE:** Para acceder al Menú, es necesario primero desbloquear el teclado. Para ello pulsar simultáneamente las telas MENU y SELECT.

### 4.1 Inicio y pantalla principal

Al iniciar el sistema la pantalla mostrará los logotipos Master Audio y Joker. A continuación, se mostrará la pantalla principal, como se muestra en la Fig. 24:



**Fig. 24:** Pantalla principal

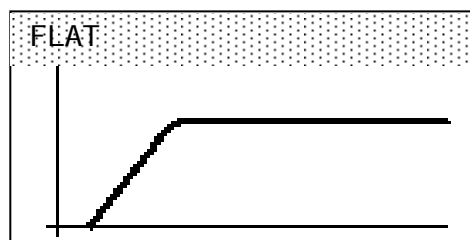
- A: Preset actual
- B: Niveles de entrada y salida
- C: Nivel de volumen
- D: Temperatura de la etapa de potencia
- E: Características especiales
  - Eco: si está activado el modo ECO
  - Lock: indica si el teclado está bloqueado
  - Polaridad: positiva (Pol+) o negativa (Pol-) (sólo en Subwoofers)

#### 4.2 Seleccionar un Preset

Para cambiar el Preset actual, seguir estos pasos:

1) Si el teclado está bloqueado, desbloquear con MENU + SELECT

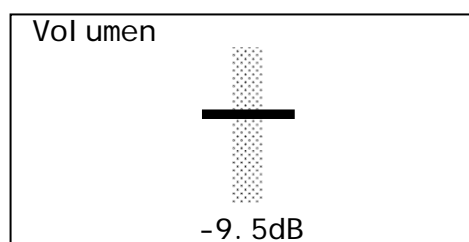
2) Pulsar PRESET una vez. Entrará en el menú Presets y se visualizará el actual.



3) Pulsar PRESET para visualizar todos los presets disponibles en el sistema. Cuando encuentre el deseado, pulsar SELECT para seleccionarlo como actual. El sistema mostrará a continuación la pantalla principal.

#### 4.3 Cambiar el volumen

Para cambiar el volumen, el teclado debe estar desbloqueado (MUTE + SELECT) y a continuación pulsar las flechas Arriba/abajo. Se entrará en la pantalla de ajuste de volumen.



El volumen se puede ajustar entre 0dB y -20dB. Si al alcanzarse el valor de -20dB la flecha Abajo se pulsa nuevamente, el sistema se silenciará (MUTE), hecho que se mostrará en pantalla. Para salir de este estado, pulsar nuevamente la flecha Arriba.

Para aceptar el ajuste de volumen, pulsar la tecla SELECT. Si esto no ocurre en 30 segundos, el sistema automáticamente se redirigirá a la pantalla principal.

#### 4.4 Opciones del menú

Para navegar por el menú, pulsar primero MENU+SELECT. Recuerde siempre que debe desbloquear el teclado antes de entrar a seleccionar una opción.

La tecla MENU muestra las diferentes opciones en cada nivel del menú. Para aceptar una opción y entrar en ella, pulsar SELECT.

Menú Principal:

Para entrar en el menú principal pulsar MENU una vez. Éstas son las opciones disponibles:



Ajustes de Audio



Información



Configuración

← Volver

Pulsar SELECT para acceder a los submenús.

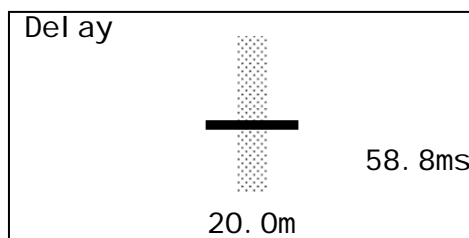
### MENU OPCIONES DE AUDIO

Utilizando la tecla MENU, se pueden visualizar la siguiente opción. Pulsar SELECT para aceptar.

**Volumen:** Da acceso al menú descrito en el apartado 4.3

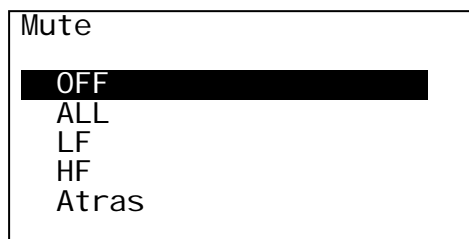
**Delay (Retardo):** Se dispone de una línea de retardo de 40 metros. Con las teclas de flecha Arriba y Abajo, se puede seleccionar el retardo deseado, entre 0 y 40m.

Pulsar SELECT para aceptar.



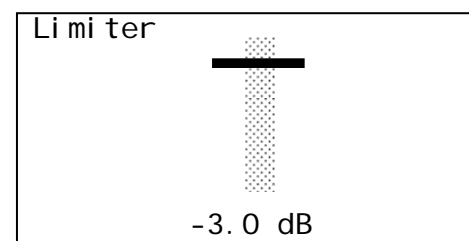
**Mute:** En esta opción se puede silenciar el sistema. Los recintos de dos vías ofrecen la opción de silenciar las vías por separado, útil para comprobaciones.

Para terminar, seleccionar "Volver" y pulsar SELECT. Cuando alguno de los transductores se encuentra en MUTE, quedará indicado en la pantalla principal.



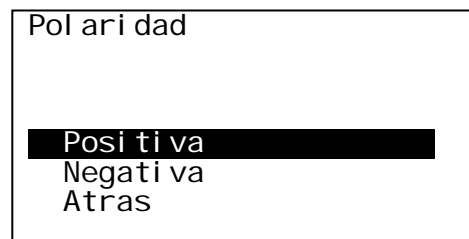
**Limitador:** Ajuste del umbral del limitador con las flechas Arriba y Abajo. Por defecto el umbral es 0dB (máxima potencia).

Para acabar, pulsar SELECT.



**Polaridad** (sólo en Subwoofers): puede seleccionar entre polaridad positiva y negativa (inversión de 180°).

Esta opción facilita mucho la alineación de subwoofer en aplicaciones con varios elementos.



### MENU CONFIGURACIÓN

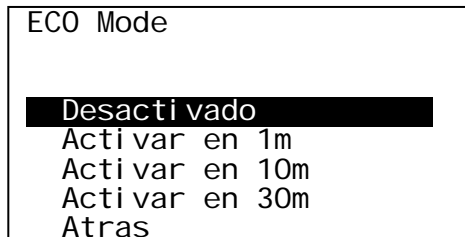
En el menú de configuración se pueden ajustar los parámetros descritos a continuación:

**ECO Mode:** En esta opción el modo ECO puede ser habilitado con diferentes tiempos de activación.

Si se activa el modo ECO, el sistema analizará continuamente la señal de entrada. Si no se detecta señal después del número de minutos seleccionado (1, 10 ó 30), el sistema se pondrá en modo de bajo consumo (standby). Esta condición se indica con un mensaje en la pantalla.

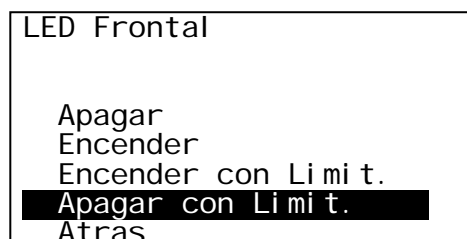
Al detectarse de nuevo señal en la entrada, el sistema volverá al funcionamiento normal, hasta que la señal de entrada vuelva a desaparecer.

La palabra Eco aparece en la pantalla principal cuando el equipo trabaja en este modo.



**IMPORTANTE:** El sistema necesita unos 2 segundos para recuperarse del modo de bajo consumo. No se recomienda esta funcionalidad en aplicaciones críticas en tiempo de respuesta.

**LED Frontal:** Los recintos activos Joker disponen de un led frontal que se ilumina para indicar que el equipo está en funcionamiento.



Aquí puede cambiarse el comportamiento del led frontal, entre las siguientes opciones:

Apagar: siempre apagado

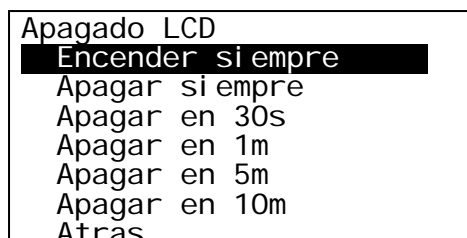
Encender: siempre encendido

Encender con Limit.: El led se mantiene apagado y se enciende cuando alguno de los limitadores se activa.

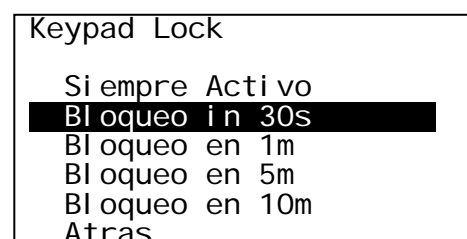
Apagar con Limit.: El led se mantiene encendido y se apaga cuando alguno de los limitadores se activa (opción por defecto).

**IMPORTANTE:** En la opción por defecto el led estará siempre encendido excepto cuando se activa alguno de los limitadores.

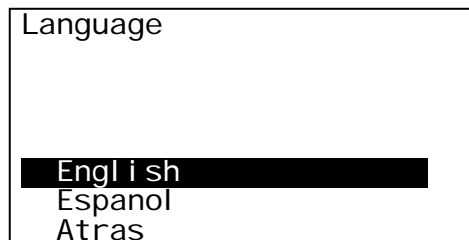
**Apagado LCD:** Aquí puede configurarse cómo se comporta la iluminación de la pantalla LCD. La pantalla se iluminará siempre tras una pulsación del teclado, excepto si se selecciona la opción "Siempre apagada".



**Bloqueo teclado:** Esta opción determina si el teclado se bloquea o no tras no existir actividad (el tiempo de inactividad se define aquí). Recuerde que el teclado se desbloquea pulsando las teclas MUTE+SELECT simultáneamente

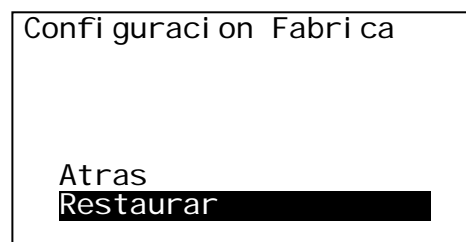
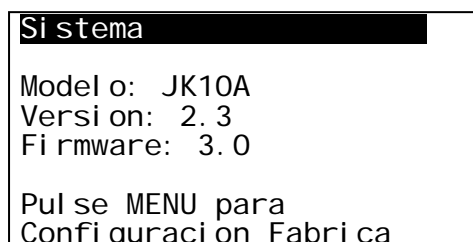
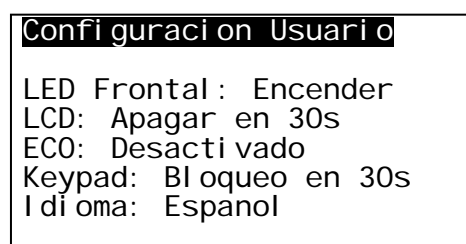
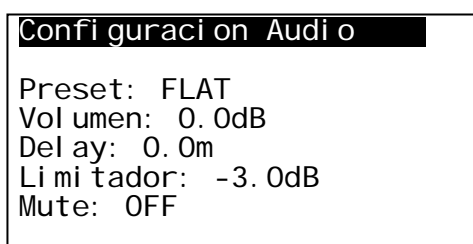


**Idioma:** Seleccionar aquí el idioma en el que se muestra la interfaz de usuario. Pulsar SELECT para cambiar a la opción resaltada.



### MENU INFORMACIÓN

Dentro de esta opción se proporciona un resumen rápido de todos los ajustes realizados en el sistema. Pulsar SELECT para ver la información. Hay tres pantallas diferentes, que se pueden visualizar presionando SELECT.



En la pantalla de Sistema se puede acceder a la opción de reestablecer la configuración de fábrica (por defecto). Para ello, pulsar la tecla MENU, y en la pantalla que aparece, mover el cursor a “Restaurar” (con MENU) y apretar SELECT para confirmar.

Los ajustes que por defecto se programan en fábrica en un recinto Joker, son los siguientes:

#### Ajustes de Audio

- Preset: FLAT
- Volumen: 0.0dB
- Delay: 0m
- Mute: Off
- Polaridad: Positiva (Pol+) (sólo en subwoofers)

#### Configuración:

- LED Frontal: Encender con Limit.
- Iluminación LCD: Apagar en 30s
- Modo ECO: Desactivado
- Bloqueo teclado: Bloqueo en 30s
- Idioma: Inglés



## 4.5 Características Especiales

### Limitación Automática por Temperatura

En condiciones normales de operación, los amplificadores de los sistemas Joker pueden rendir durante muchas horas a máxima potencia. Sin embargo, si se da la situación en la que la temperatura en el amplificador suba de forma inesperada, el sistema ajustará automáticamente el nivel del limitador para intentar compensar esta subida, resultando esto en una disminución progresiva del nivel de salida.

Si la temperatura vuelve a un rango normal, el sistema recuperará su funcionamiento habitual.

Si, en cambio, la temperatura sigue subiendo hasta un nivel que pueda ser peligroso para los componentes (90°C), el sistema se pondrá en Protección.

### Protección contra Saturación de señal de entrada

Los sistemas Joker aceptan un elevado rango de señal de entrada (+20dBu – 8V), pero existen en el mercado fuentes de sonido y mezcladores capaces de entregar voltajes superiores.

**Utilizar un sistema continuamente por encima de su entrada nominal puede afectar drásticamente a la calidad sonora**, normalmente debido a la pérdida de rango dinámico. A largo plazo, puede suponer un envejecimiento innecesario de los transductores.

Además, **la máxima potencia del sistema se obtiene a su nivel de entrada nominal**, y en ningún caso trabajar por encima proporciona mejores resultados.

Los sistemas Joker están equipados con un sistema de control de la señal de entrada que evitará que el recinto acústico se sature por una exposición continua a niveles excesivos de señal de entrada. Si esto ocurre durante un periodo prolongado, el sistema entrará en modo de protección de saturación de entrada, significando que:

- La señal de salida se **reducirá en 20dB**
- Todos los leds de limitador se encenderán continuamente
- El led frontal de puesta en marcha parpadeará
- Se mostrará un mensaje en el LCD (Saturación Entrada)

Para retornar al nivel de operación normal, será necesario reducir el nivel de entrada a un nivel medio de +8dBu (2V), que es el valor nominal y recomendado para el sistema.

## 5. CARACTERÍSTICAS TÉCNICAS

	JK26A	JK10A	JK12A	JK15A
<b>Entrada audio</b>				
Sensibilidad	+2dBu	+8dBu		
Impedancia	20k $\Omega$			
<b>Red</b>				
Tipo	Universal switching power supply 85-265VAC / 45- 65Hz			
Heavy duty musical program	0.3A	0.7A		
<b>Consumo en Standby</b>	<5W			
<b>Convertidores analógicos</b>	24 bit / 48kHz			
<b>Arquitectura DSP</b>	48 bit			
<b>Línea delay</b>	118ms / 40m			
<b>Respuesta frecuencia</b> Banda útil (-10 dB)	65Hz-20kHz	50Hz-18kHz	48Hz-19kHz	45Hz-19kHz
<b>Máximo nivel salida (1m/continuo)</b>	118 dB	125 dB	126 dB	127 dB
<b>Amplificador (programa)</b>	200 + 30W	600 + 100W		
<b>Directividad nominal (-6dB)</b>	90° x 90°	50° to 100° x 55°		
<b>Componentes</b>				
LF	2 x 6" neodymium woofers	1 x 10" neodymium woofer	1 x 12" woofer	1 x 15" woofer
HF	1 x 1" neodymium tweeter, titanium diaphragm	1 x 1.4" PETP diaphragm driver	1 x 1.75" PETP diaphragm driver	
<b>Recinto</b>				
Tipo	Bass-reflex			
Altura	532 mm	539 mm	609 mm	689 mm
Anchura	250 mm	365 mm	410 mm	460 mm
Profundidad	260 mm	340 mm	405 mm	450 mm
Peso (neto)	9,5 Kg	14,6 Kg	22,7 Kg	27,2 Kg
Conectores	1 x AC PowerCon (input, link) 2 x XLR (input, link)			
Material	Tablero abedul, reja frontal con espuma			
Acabado	Pintura Polyurea de alta resistencia			

	JK12WA	JK15WA	JK18WA1	JK18WA2
<b>Entrada audio</b>				
Sensibilidad	+2dBu			
Impedancia	20kΩ			
<b>Red</b>				
Tipo	Universal switching power supply 85-265VAC / 45- 65Hz			
Heavy duty musical program	0.8A	1A	1A	2A
<b>Consumo en Standby</b>	<5W			
<b>Convertidores analógico</b>	24 bit / 48kHz			
<b>Arquitectura DSP</b>	48 bit			
<b>Línea delay</b>	118ms / 40m			
<b>Respuesta frecuencia</b> Banda útil (-10 dB)	38Hz-90/100 /110/120Hz	36Hz-90/100/120Hz	32Hz-90/100/110Hz	30Hz-90/100 /110Hz
<b>Máximo nivel salida (1m/continuo)</b>	123 dB	127 dB	128 dB	132 dB
<b>Amplificador (programa)</b>	500W	1000W		2000W
<b>Directividad nominal (-6dB)</b>	omnidirectional			
<b>Componentes</b>				
LF	1 x 12" woofer (3" voice coil)	1 x 15" woofer (4" voice coil)	1 x 18" woofer (4" voice coil)	
HF	-		-	-
<b>Recinto</b>				
Tipo	Band-pass			
Altura	387 mm	475 mm	552 mm	
Anchura	520 mm	630 mm	740 mm	
Profundidad	530 mm	630 mm	710 mm	
Peso (neto)	25,6 Kg	41,6 Kg	50,9 Kg	51,9 Kg
Conectores	1 x AC PowerCon (input, link) 2 x XLR (input, link)			
Material	Tablero abedul, reja frontal con espuma			
Acabado	Pintura Polyurea de alta resistencia			

	<b>JK10MA</b>	<b>JK12MA</b>	<b>JK318A</b>
<b>Entrada audio</b>			
Sensibilidad	+8dBu		
Impedancia	20k $\Omega$		
<b>Red</b>			
Tipo	Universal switching power supply 85-265VAC / 45- 65Hz		
Heavy duty musical program	0.7A		3.9A
<b>Consumo en Standby</b>	<5W		
<b>Convertidores analógicos</b>	24 bit / 48kHz		
<b>Arquitectura DSP</b>	48 bit		
<b>Línea delay</b>	118ms / 40m		
<b>Respuesta frecuencia</b> Banda útil (-10 dB)	50Hz-18kHz	48Hz-20kHz	35Hz-19kHz
<b>Máximo nivel salida (1m/continuo)</b>	124 dB	126 dB	132 dB
<b>Amplificador (programa)</b>	600+100W		2400+600W
<b>Directividad nominal (-6dB)</b>	70° x 70°	60° x 40°	50° to 100° x 55°
<b>Componentes</b>			
LF	1 x 10" coaxial woofer (2.5" voice coil)	1 x 12" coaxial woofer (3" voice coil)	1 x 18" neo. woofer (4" voice coil) 1 x 12" neo. woofer (3" voice coil)
HF	1 x 1.75" polyester diaphragm driver	1 x 3" titanium diaphragm driver	1 x 1.75" PETP diaphragm driver
<b>Recinto</b>			
Tipo	Bass-reflex		
Altura	539mm	374 mm	1240 mm
Anchura	365 mm	600 mm	534 mm
Profundidad	340 mm	565 mm	524 mm
Peso (neto)	15,2 Kg	24,4 Kg	59 Kg
Conectores	1 x AC PowerCon (input, link) 2 x XLR (input, link)		
Material	Tablero abedul, reja frontal con espuma		
Acabado	Pintura Polyurea de alta resistencia		